



## 5 Port 10/100 Ethernet Integrated Switch

### Features

- IP175A PCB compatible (pins compatible)
- Built in 6 MAC and 5 PHY
- Each port can be configured to be 10Base-T, 100Base-TX
- 2k MAC address
- 384k bits packet buffer memory
- Support auto-polarity for 10Mbps
- Filter/ forward reserved address option
- Broadcast storm protection
- Auto MDI-MDIX
- Support three MII/RMII ports
- Support SMI with MDC up to 12.5 Mhz
- Support tagging & un-tagging
- Support Port base VLAN & tag VLAN
- Support CoS
- Support port security option
- Support SMART MAC function
- Support spanning tree protocol
- Max packet length 1552/ 1536 bytes
- Support 8-level bandwidth control
- Support Link quality LED for 100Mbps
- Support direct, serial and dual color mode LED
- Support one fiber port with far end fault function for **IP175CH** only
- Built in linear regulator control circuit
- Low power consumption
- 0.18um, 128-pin PQFP
- Support Lead Free package (Please refer to the Order Information)

Note – some features need CPU support, please refer to the detail description inside this data sheet

### General Description

IP175C/IP175CH integrates a 6-port switch controller, SSRAM, and 5 10/100 Ethernet transceivers. Each of the transceivers complies with the IEEE802.3, IEEE802.3u, and IEEE802.3x specifications. The DSP approach is utilized for designing transceivers with 0.18um technology; they have high noise immunity and robust performance.

IP175C/IP175CH operates in store and forward mode. It supports flow control, auto MDI/MDI-X, CoS, port base VLAN, bandwidth control, DiffServ, SMART MAC and LED functions, etc. Each port can be configured to auto-negotiation or forced 10M/100M, full/half duplexmode. Using an EEPROM or pull up/down resistors on specified pins can configure the desired options.

Besides a 5-port switch application, IP175C/IP175CH supports three MII/RMII ports for router application, which supports 4 LAN ports, one WAN port and one HOME/PNA or Access point. The external MAC can monitor or configure IP175C/IP175CH by accessing MII registers through SMI0.

MII/RMII port also can be configured to be MAC mode. It is used to interface an external PHY to work as a 5+1 switch. Through SMI1 IP175C/IP175CH can monitor and configure external PHY.

**IP175CH** supports one fiber port with far end fault function



## Table Of Contents

Features.....	1
General Description.....	1
Table Of Contents.....	2
Revision History.....	4
Comparison Table of IP175A & IP175C/IP175CH.....	6
Pin diagram (IP175C).....	7
Pin diagram (IP175CH).....	8
1 Pin description.....	12
2 Functional Description.....	34
2.1 Flow control.....	34
2.2 Broadcast storm protection.....	34
2.3 Port locking (Port security).....	34
2.4 Port base VLAN.....	34
2.5 Tag VLAN / Tag and un-tag function.....	35
2.5.1 Tag and un-tag function.....	35
2.5.2 Tag VLAN.....	35
2.5.3 Tag/ un-tag function and Tag VLAN function in a router application.....	35
2.6 MII/RMII.....	36
2.7 SMART MAC.....	42
2.7.1 System configuration.....	42
2.7.2 Packet from LAN to WAN.....	44
2.7.3 Packet from WAN to LAN.....	44
2.8 Built in regulator.....	45
2.9 CoS.....	46
2.9.1 Port base priority.....	46
2.9.2 Frame base priority.....	46
2.10 Spanning tree.....	48
2.10.1 Port states.....	48
2.11 Special tag.....	49
2.11.1 From CPU to switch.....	49
2.11.2 From switch to CPU.....	49
2.12 Static MAC address table.....	50
2.13 Serial mode LED.....	51
2.14 LED Blink Timing.....	53
2.15 Serial management interface.....	54
2.16 Force mode of PHY.....	56
2.17 Reset.....	56
2.18 Bandwidth control.....	56
2.19 Fiber mode of port 4 (for IP175CH only).....	56
2.20 MII registers of PHY.....	58
2.21 MII registers of Switch controller.....	66
3 Crystal Specifications.....	101
4 Electrical Characteristics.....	102
4.1 Absolute Maximum Rating.....	102
4.2 DC Characteristic.....	102
4.3 AC Timing.....	103
4.3.1 Reset Timing.....	103
4.3.2 PHY Mode MII Timing.....	103
4.3.3 MAC Mode MII Timing.....	105
4.3.4 RMII Timing.....	106
4.3.5 SNI Timing.....	107



4.3.6	SMI Timing .....	108
4.3.7	EEPROM Timing .....	110
4.4	Thermal Data .....	110
5	Order Information .....	111
6	Package Detail .....	112



## Revision History

Revision #	Change Description
IP175C-API-R01	Advanced Product Information.
IP175C-DS-R01	<ol style="list-style-type: none"><li>1. Initial release.</li><li>2. The difference between IP175C-API-R01 &amp; IP175C-DS-R01<ol style="list-style-type: none"><li>2-1. Remove SCA.</li><li>2-2. RMII clock output pin changed.</li><li>2-3. Pin 116: CLK_SEL → REG_HIGH</li></ol></li></ol>
IP175C-DS-R02	<ol style="list-style-type: none"><li>1. Modify RMII1 Pin description.</li><li>2. MII Register not compatible to IP175A.</li><li>3. Add comparison table of IP175A &amp; IP175C.</li></ol>
IP175C-DS-R03	<ol style="list-style-type: none"><li>1. Update page 28 Pin description of X1</li><li>2. Add page 99~105</li><li>3. Remove POA</li><li>4. Remove MII registers PHY 5 and PHY 6</li></ol>
IP175C-DS-R04	<ol style="list-style-type: none"><li>1. Change MDC1 from Pin 53 to Pin 113</li><li>2. Add the description of MII0_RXCLK and MII0_TXCLK are in phase.</li><li>3. Modify the description of bandwidth control Register.</li><li>4. REG_HIGH is internally bounded to GND for the linear regulator to generate a 1.8v voltage source.</li></ol>
IP175C-DS-R05	<ol style="list-style-type: none"><li>1. Modify the value of bit [9:4] of register 4 of PHY 0 ~ PHY 4 from 6'h05 to 6'h18.</li><li>2. Add REGOUT to DC characteristic table.</li></ol>
IP175C-DS-R06	<ol style="list-style-type: none"><li>1. Add Bandwidth control description.</li><li>2. Update REGOUT voltage from 1.8v (±5%) to 1.82v (±6%)</li></ol>
IP175C-DS-R07	<ol style="list-style-type: none"><li>1. Add port security in page 31</li><li>2. Add notice for different configuration in router application in page 7</li><li>3. Add notice for different configuration in Smart Mac application in page 39</li><li>4. Change register setting for 30.1[5:0] from 6'h3f to 6'h30 in page 40</li><li>5. Change REGOUT voltage from 1.82v (±6%) to 1.70v ~ 1.93v in page 42</li><li>6. Modify VIH, VIL in page 97</li><li>7. Add reset timing in page 98</li><li>8. Change REGOUT voltage from 1.82v (±6%) to 1.70v ~ 1.93v in page 9</li><li>9. Change band gap resistor from 6.2K to 6.19K in page 27</li><li>10. Change led_sel [1:0] from {1,0} to {0,1} in page 30</li><li>11. Add AVCC &amp; VCC pin list in page 30</li></ol>
IP175C-DS-R08	<ol style="list-style-type: none"><li>1. Remove speed up column in page 49</li><li>2. Add in Thermal Data in page 105</li><li>3. PHY 30 MII register 12 bit [1] change from * to 1'b1 in page 84</li></ol>
IP175C-DS-R09	<ol style="list-style-type: none"><li>1. Add phy_30_reg_12[8] (bw_en_qm) in page 84</li><li>2. Add Note on page 1 for CPU</li></ol>
IP175C-DS-R10	<ol style="list-style-type: none"><li>1. Add the order information for lead free package</li></ol>
IP175C-DS-R11	<ol style="list-style-type: none"><li>1. Change REGOUT voltage upper limit from 1.93v to 2.00v on page 10, 43, 98</li><li>2. Change VCC upper limit to 2.00 on page 98</li><li>3. Add "All ports link at 10Mbps mode" to REG_OUT Conditions on page 98</li></ol>



## Revision History

Revision #	Change Description
IP175C-DS-R12	<ol style="list-style-type: none"><li>1. Change to EEPROM register 14~18 or MII register 19~21 on page 32</li><li>2. Add SERIAL_LED_MODE to Pin diagram on page 6</li><li>3. Add pin 112 description for SERIAL_LED_MODE on page 27</li><li>4. Add PHY_31_REG_5[1] SERIAL_LED_MODE on page 97</li><li>5. Add SERIAL_LED_MODE = 0 on page 50</li><li>6. Add description for SERIAL_LED_MODE selection on page 50</li><li>7. Change MII0 MAC mode PHY address to 00000 on page 36</li><li>8. Change P4_FORCE_100 from 22.4 to 20.4 on page 36</li></ol>
IP175Cx-DS-R13	<ol style="list-style-type: none"><li>1. Replace IP175C with <b>IP175C/IP175CH</b></li><li>2. Add "<b>IP175CH</b> support one fiber " to feature list and general description on page 1</li><li>3. Modify Comparison Table on page 6 for IP175CH only</li><li>4. Add IP175CH Pin diagram on page 8</li><li>5. Add FXSD4 Pin description on page 30</li><li>6. Add "Fiber mode of port 4 (for IP175CH only)" function description on page 56</li><li>7. Modify Order Information on page 111</li><li>8. Add Fiber I/O Electrical Characteristics on page 102</li></ol>
IP175Cx-DS-R14	<ol style="list-style-type: none"><li>1. Modify flow control description on page 34</li><li>2. Modify IPL/IPH description on page 12</li><li>3. Modify Dual color mode LED Link off status value on page 33</li><li>4. Add X1 VIL &amp; X1 VIH on page 102</li><li>5. Add 384k bits packet buffer memory on page 1</li></ol>
IP175Cx-DS-R15	<ol style="list-style-type: none"><li>1. Modify Software reset register description on page 80</li><li>2. Modify mii1_dis value of MII/RMII2 from X to 0 on page 17</li><li>3. Modify SERIAL_LED_MODE description on page 51, 52 &amp; 99</li><li>4. Modify I/O Electrical Characteristics table on page 101</li><li>5. Modify SERIAL_LED_MODE CKT on page 51, 52</li><li>6. Modify 30.1[5:0] to 30.2[5:0] on page 43 Table</li><li>7. Add Crystal Specification on page 101</li><li>8. Add PHY MII Register 16 &amp; 18 on page 58, 65</li><li>9. Add pause frame's SA description on page 34</li></ol>



**Comparison Table of IP175A & IP175C/IP175CH**

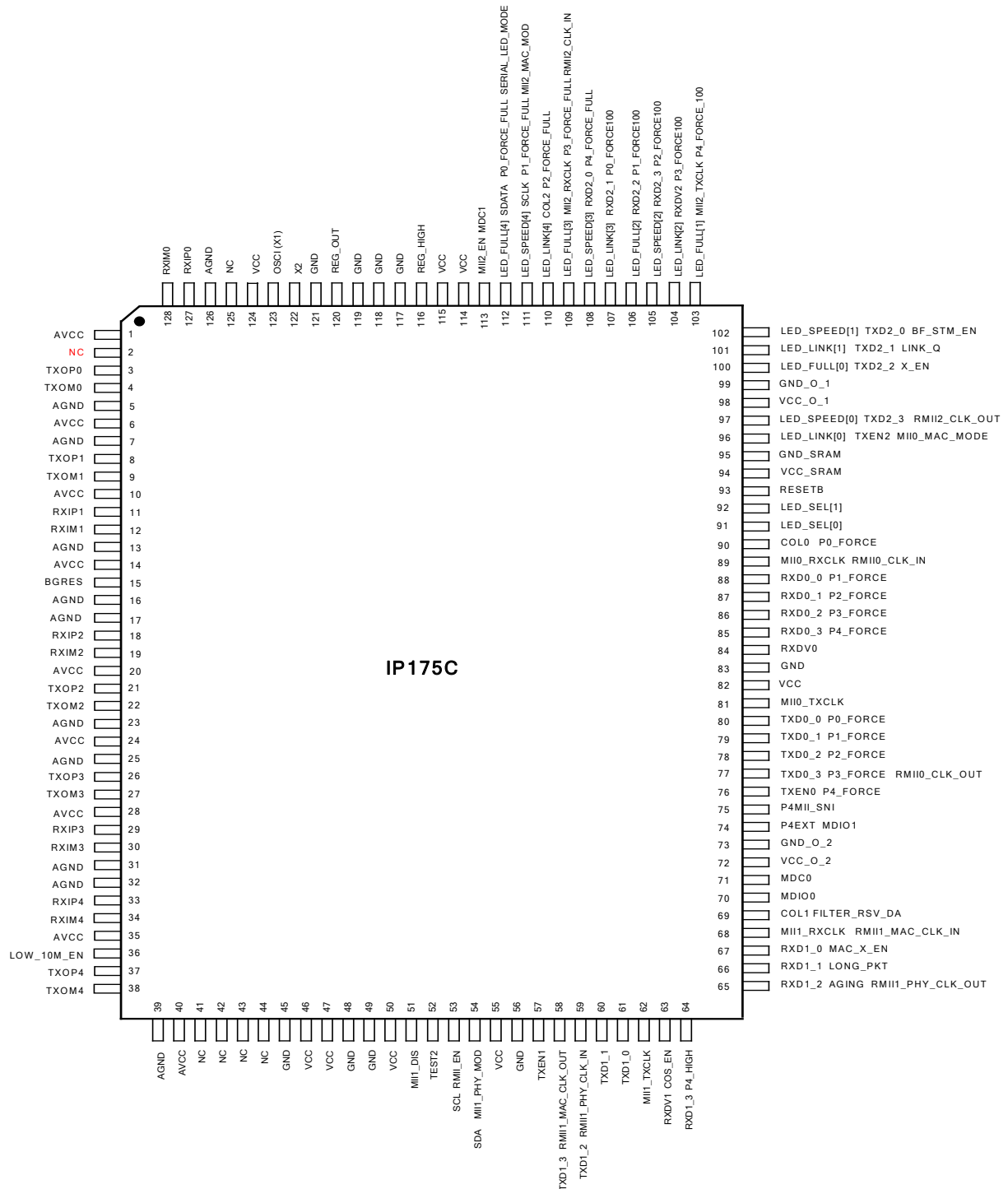
Item/Part Number	IP175A	IP175C/IP175CH
Pin Assignment	Compatible	
Process	0.25um	0.18um
Package Type	128pin PQFP	128pin PQFP
Major Block	MAC/5ports+PHY/5ports	MAC/6ports+PHY/5ports
MAC Address	1K	2K
AUTO-MDI-MDIX	Yes	Yes
10M/100M Copper (10BT, 100BaseTx)	Yes	Yes
100M Fiber (100BaseFX)	Yes	No (Yes for IP175CH only)
Max Frame Size	1536	1536/1552 (Pin Option)
4+1+1: 4Tx+Two MII I/F (RMII I/F)	Yes (No)	Yes (Yes, MII0, 1 & 2)
4+ 3MII	No	Yes
5+1: 5Tx+1 MII I/F	No	Yes
SMI I/F(MDC/MDIO) CTRL PHY reg.	Yes (As data Sheet)	Yes (MDC/MDIO*2)
SNI I/F	Yes	Yes (MII0/SNI Option)
EEPROM I/F (24C01A)	Yes	Yes
Flow Control-802.3x	Yes	Yes
Flow Control-Backpressure	Yes	Yes
Port Base COS	Yes	Yes (Through SMI0)
Port Base VLAN	Yes	Yes (Through SMI0)
QOS- VLAN tag	Yes	Yes (Through SMI0)
Tag VLAN	No	Yes
QOS IPV4 TCP/IP Cos	Yes	Yes
QOS IPV6 TCP/IP Cos	No	Yes
Broadcast Storm Protection	Yes	Yes
Power Saving	Yes	Yes
Loop Back Test	PHY of port 5	Each port
Port Security Option	No	Yes
8-level Bandwidth Control	No	Yes
Link Quantity LED	No	Yes
Power down	No	Yes
Dual color mode LED	No	Yes
Spanning Tree protocol	No	Yes
Smart MAC	No	Yes
Special address handling	No	Yes
Diff serve	No	Yes
Direct forwarding	No	Yes



# IP175C/IP175C LF/IP175CH/IP175CH LF

## Data Sheet

### Pin diagram (IP175C)

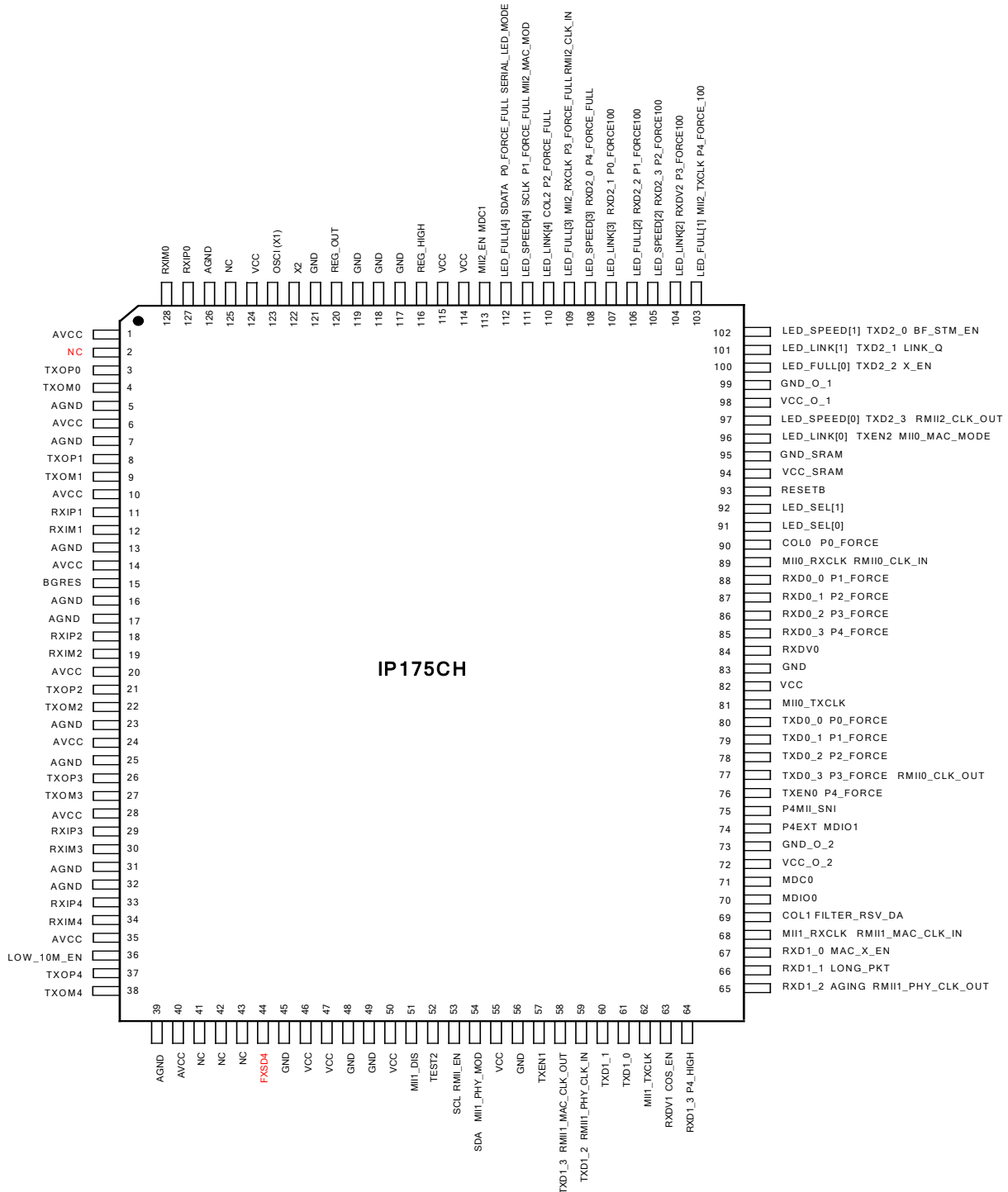




# IP175C/IP175C LF/IP175CH/IP175CH LF

## Data Sheet

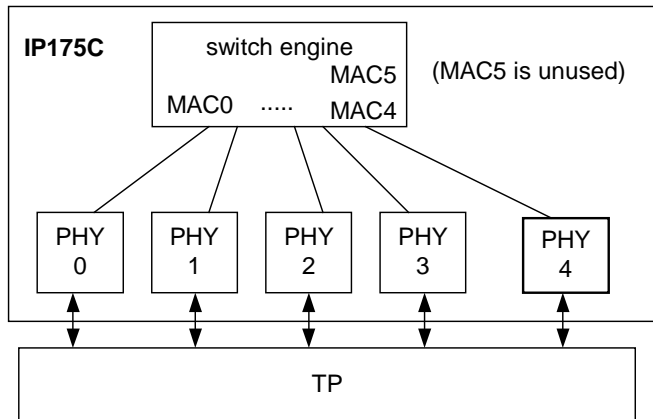
### Pin diagram (IP175CH)





### 5-port switch application

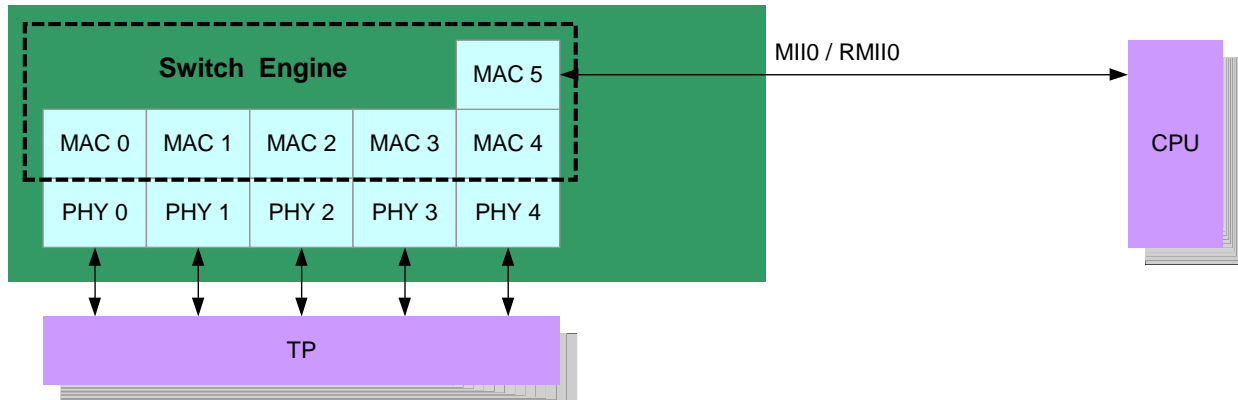
When pin 74 P4EXT is pulled low, all MII/RMII ports are disabled, and IP175C/IP175CH works as a 5-port switch. MAC5 is not used in this application.



**Router application using one MII/RMII port**

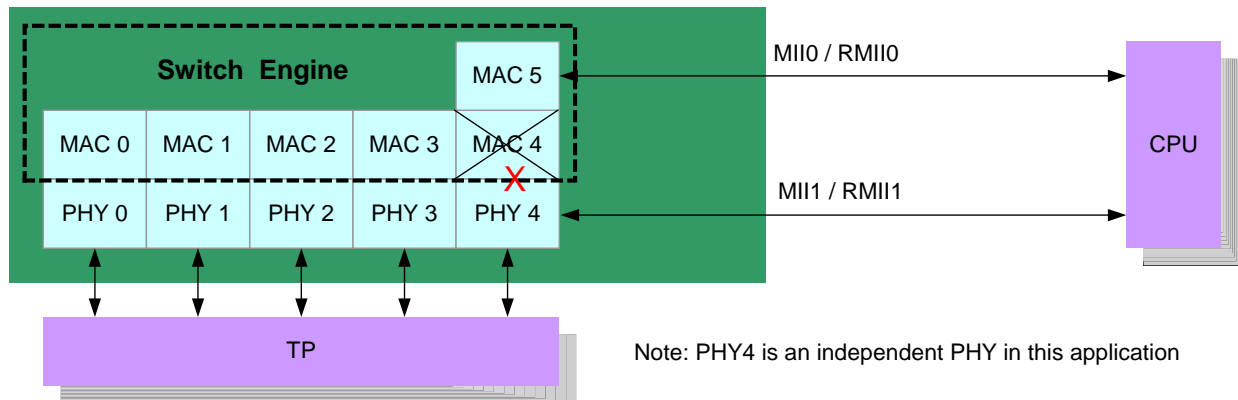
(can be configured to 4LAN+1WAN, 3LAN+2WAN, 2LAN+3WAN or 1LAN+4WAN)

p4ext	mii1_dis	mii2_en	p4mii_sni	rmii_en	mii0_mac_mod	mii2_mac_mod
1	1	0	0	x	0	x



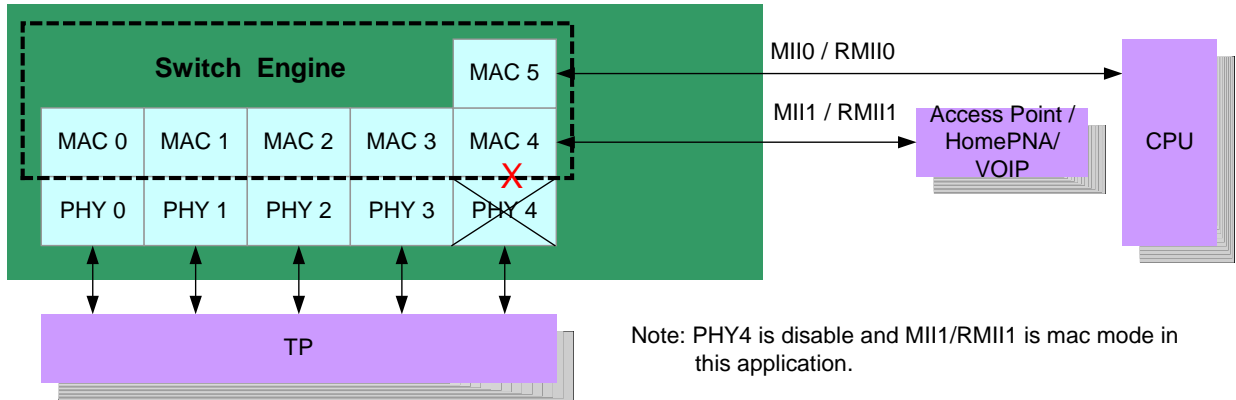
**Router application using two-MII/RMII ports**

p4ext	mii1_dis	mii2_en	p4mii_sni	rmii_en	mii0_mac_mod	mii2_mac_mod
1	0	0	0	x	0	x



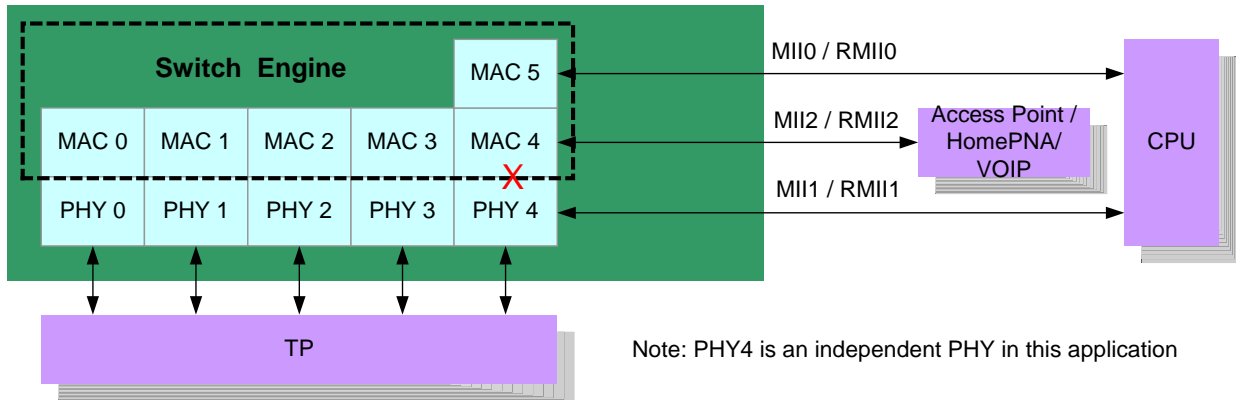
**Router application using two-MII/RMII ports (another option)**

p4ext	mii1_dis	mii2_en	p4mii_sni	rmii_en	mii0_mac_mod	mii1_phy_mod
1	0	0	0	x	0	0



**Router application using three-MII/RMII ports**

p4ext	mii1_dis	mii2_en	p4mii_sni	rmii_en	mii0_mac_mod	mii2_mac_mod
1	0	1	0	x	0	0





## 1 Pin description

Type	Description
I	Input pin
O	Output pin
IPL	Input pin with internal pull low 50M ohm
IPH	Input pin with internal pull high 50M ohm

Type	Description
IPL1	Input pin with internal pull low 22.8k ohm
IPH1	Input pin with internal pull high 22.8k ohm
IPL2	Input pin with internal pull low 92.6k ohm
IPH2	Input pin with internal pull high 113.8k ohm

Pin No.	Label	Type	Description
<b>Analog</b>			
120	REG_OUT	O	Regulator output.  The internal linear regulator uses this pin to control external transistor to generates a voltage source between 1.70v ~ 2.00v.  IP175C/IP175CH uses the DVCC/AVCC as feedback voltage.
116	REG_HIGH	I	Regulator output selection is internally bounded to GND.



Pin description (continued)

Pin No.	Label	Type	Description
<b>LED pins used as initial setting (the setting is latched at the end of reset)</b>			
102	BF_STM_EN	IPL1	Broadcast storm protection enable 1: enable 0: disable (default)  A port begins to drop packets if it receives broadcast packets more than the threshold defined in MII register 30.11[15:14] bq_stm_thr_sel [1:0] or EEPROM register 59[7:6]
101	LINK_Q	IPH1	Link quality 1: enable (default) 0: disable  When the function is enabled, besides link on/off status, activity status, link LED shows link quality. The link LED will be flash (on: 2sec / off: 2sec) when the SNR of received signal is lower than the desired value for normal operation.
100	X_EN	IPH1	IEEE802.3X/ back pressure enable 1: enable (default) 0: disable  This pin doesn't set the flow control of MII0 port. Pin 67 MAC_X_EN sets the flow control of MII0 port.



Pin description (continued)

Pin No.	Label	Type	Description
<b>All pins used as initial setting (the setting is latched at the end of reset)</b>			
69	FILTER_RSV_DA	IPL	Filter packets with reserved DA (0180c20002~f) 1: Filter the packets 0: Forward the packets (default)  It is valid only if p4ext is pulled LOW.
66	LONG_PKT	IPL	Max forwarded packet length 1: 1552 bytes 0: 1536 bytes (default)  It is valid only if p4ext is pulled low.
65	AGING	IPH2	Address aging enable 1: enable, aging time is around 280s (default), 0: disable  It is recommended to disable the aging function, if port-locking function is enabled.  It is valid only if p4ext is pulled low.
64	P4_HIGH	IPL2	Port4 is set to be high priority port 1: enable, 0: disabled (default)  Packets received from port4 are handled as high priority packets if the feature is enabled.  It is valid only if p4ext is pulled low.
63	COS_EN	IPL2	Class of service enable 1: enable 0: disabled (default)  Packets with high priority tag are handled as high priority packets for all ports if the feature is enabled.  It is valid only if p4ext is pulled low.



Pin description (continued)

Pin No.	Label	Type	Description
<b>Initial setting</b>			
36	LOW_10M_EN	IPL	10M low power mode enable 1: 10M low power mode, the trasmit amplitude is depressed in 10M mode for power saving. 0: 10M normal mode (default)



Pin description (continued)

Pin No.	Label	Type	Description
<b>External MII port setting (the setting is latched at the end of reset)</b>			
74	P4EXT	IPL	External MII port enable 1: MII interface configuration is enabled. 0: External MII interface is disabled and IP175C/IP175CH works as a 5-port switch (default).  The configuration function of pin Px_FORCE, FILTER_RSV_DA, MAC_X_EN, LONG_PKT, AGING, P4_HIGH and COS_EN are disabled when this pin is pulled high.
53	RMII_EN	IPL	RMII enable for all MII ports. 1: All MII/RMII interfaces work in RMII mode 0: All MII/RMII interfaces work in MII mode (default).  It is valid only if P4EXT is pulled high. This pin defines the initial setting of all MII ports. Each port can be configured as MII or RMII by programming MII register 31.5[10:8].
67	MAC_X_EN	IPH2	Flow control enable for external MII ports 1: enable (default), 0: disable  It is valid only if P4EXT is pulled low.
96	MII0_MAC_MOD	IPL1	External MII0 port MAC mode MII0 is connected to MAC5 of IP175C/IP175CH. 1: MII0 works as a MAC and should be connected to an external PHY. 0: MII0 works as a PHY and should be connected to an external MAC device (default).  It is valid only if P4EXT is pulled high.
54	MII1_PHY_MOD (SDA)	IPH/O	External MII1 source port selection 1: MII1 is connected to PHY4 of IP175C/IP175CH. It should be connected to an external MAC device. 0: MII1 is connected to MAC4 of IP175C/IP175CH. It should be connected to an external PHY.  It is valid only if P4EXT is pulled high and MII1_DIS is pulled low.
111	MII2_MAC_MOD	IPL	External MII2 port MAC mode MII2 is connected to MAC4 of IP175C/IP175CH. 1: MII2 works as a MAC and should be connected to an external PHY. 0: MII2 works as a PHY and should be connected to an external MAC device (default).  It is valid only if P4EXT is pulled high and MII2_EN is pulled high.
113	MII2_EN	IPL/O	MII2 enable 1: MII2 is enabled. It is note that LED is changed to serial mode automatically. User should not enable MII2 if pin 54 MII1_PHY_MOD is pulled low. 0: MII2 is disabled (default).  It is valid only if P4EXT is pulled high. The configuration function of pin Px_FORCE_FULL, Px_FORCE_100, BF_STM_EN, LINK_Q, X_EN, and MII0_MAC_MODE are disabled when this pin is pulled high.  It becomes an output pin MDC1 after reset.





Pin description (continued)

Pin No.	Label	Type	Description
<b>External MII port setting</b>			
75	P4MII_SNI	IPL	SNI enable for MII0 1: SNI interface 0: MII interface (default).  It is valid only is P4EXT is pulled high and RMII_EN is pulled low. It is valid for MII0 only.
51	MII1_DIS	IPL	Disable MII1 1: MII1 is disabled. It is for router application with one-MAC CPU. 0: MII1 is enabled. PHY4 is an independent PHY and can be access through MII1. It is for router application with two-MAC CPU (default).  It is valid only if P4EXT is pulled high.

**Configuration summary**

mode	p4ext	mii1_dis	mii2_en	p4mii_sni	rmii_en	mii0_mac_mod	mii2_mac_mod
<b>MII/RMII0</b>							
MII/ PHY mode	1	X	X	0	0	0	X
MII/ MAC mode	1	X	X	0	0	1	X
RMII	1	X	X	0	1	X	X
SNI/ PHY mode	1	X	X	1	0	0	X
SNI/ MAC mode	1	X	X	1	0	1	X
<b>MII/RMII1</b>							
MII/ PHY mode	1	0	X	X	0	X	X
RMII	1	0	X	X	1	X	X
<b>MII/RMII2</b>							
MII/ PHY mode	1	0	1	X	0	X	0
MII/ MAC mode	1	0	1	X	0	X	1
RMII	1	0	1	X	1	X	X

**Note:** RMII\_EN takes precedence of P4MII\_SNI.



Pin description (continued)

Pin No.	Label	Type	Description
<b>External MII0 interface (PHY mode, MII0_MAC_MOD=0, P4MII_SNI=0)</b>			
89	MII0_RXCLK	O	MII receive clock MII0_RXCLK and MII0_TXCLK are the same clock source and in phase.
81	MII0_TXCLK	O	MII transmit clock
80, 79, 78, 77	TXD0_0, TXD0_1, TXD0_2, TXD0_3	IPL2	MII transmit data It is sampled at the rising edge of MII0_TXCLK.
76	TXEN0	IPL2	MII transmit enable It is used to frame TXD0[3:0]. It is sampled at the rising edge of MII0_TXCLK.
90	COL0	O	MII collision It is active when MII0 is half duplex and a collision event happens.
84	RXDV0	O	MII receive data valid It is used to frame RXD0[3:0]. It is sent out at the falling edge of MII0_RXCLK.
88, 87, 86, 85	RXD0_0, RXD0_1, RXD0_2, RXD0_3	O	MII receive data It is sent out at the falling edge of MII0_RXCLK.



Pin description (continued)

Pin No.	Label	Type	Description
<b>External MII0 interface (MAC mode, MII0_MAC_MOD=1, P4MII_SNI=0)</b>			
81	MII0_TXCLK	I	MII transmit clock It is an input clock and it is connected to MII_TXCLK of external PHY.
80, 79, 78, 77	TXD0_0, TXD0_1, TXD0_2, TXD0_3	O	MII transmit data It is connected to MII_TXD of external PHY. It is sent out at the rising edge of MII0_TXCLK.
76	TXEN0	O	MII transmit enable It is an output signal and is connected to MII_TXEN of external PHY. It is sent out at the rising edge of MII0_TXCLK.
90	COL0	IPL2	MII collision It is an input signal and is connected to the MII_COL of external PHY.
84	RXDV0	I	MII receive data valid It is an input signal and is connected to the MII_RXDV of external PHY. RXDV0 is used to frame RXD0[3:0].
88, 87, 86, 85	RXD0_0, RXD0_1, RXD0_2, RXD0_3	I	Receive data It is NRZ data and is connected MII_RXD[3:0] of external PHY. It is received at the rising edge of MII0_RXCLK.
89	MII0_RXCLK	I	MII receive clock



Pin description (continued)

Pin No.	Label	Type	Description
<b>External MII1 interface (PHY mode, MII1_PHY_MOD=1, P4EXT=1)</b>			
62	MII1_TXCLK	O	MII Transmit clock
61, 60, 59, 58	TXD1_0, TXD1_1, TXD1_2, TXD1_3	IPL2	MII transmit data It is sampled at the rising edge of MII1_TXCLK.
57	TXEN1	IPL2	MII transmit enable It is used to frame TXD1[3:0]. It is sampled at the rising edge of MII1_TXCLK.
69	COL1	O	MII collision It is active when MII1 is half duplex and a collision event happens.
63	RXDV1	O	MII receive data valid It is used to frame RXD1[3:0]. It is sent out at the falling edge of MII1_RXCLK.
67, 66, 65, 64	RXD1_0, RXD1_1, RXD1_2, RXD1_3	O	MII receive data It is sent out at the falling edge of MII1_RXCLK.
68	MII1_RXCLK	O	MII receive clock



Pin description (continued)

Pin No.	Label	Type	Description
<b>External MII2 interface (PHY mode, MII2_MAC_MOD=0, MII2_EN=1)</b>			
109	MII2_RXCLK	O	MII receive clock
103	MII2_TXCLK	O	MII transmit clock
102, 101, 100, 97	TXD2_0, TXD2_1, TXD2_2, TXD2_3	IPL2 IPH1 IPH1 IPL2	MII transmit data  It is sampled at the rising edge of MII2_TXCLK.
96	TXEN2	IPL2	MII transmit enable  It is used to frame TXD0[3:0]. It is sampled at the rising edge of MII2_TXCLK.
110	COL2	O	MII collision  It is active when MII2 is half duplex and a collision event happens.
104	RXDV2	O	MII receive data valid  It is used to frame RXD0[3:0]. It is sent out at the falling edge of MII2_RXCLK.
108, 107, 106, 105	RXD2_0, RXD2_1, RXD2_2, RXD2_3	O	MII receive data  It is sent out at the falling edge of MII2_RXCLK.



Pin description (continued)

Pin No.	Label	Type	Description
<b>External MII2 interface (MAC mode, MII2_MAC_MOD=1, MII2_EN=1)</b>			
103	MII2_TXCLK	I	MII transmit clock It is an input clock and it is connected to MII_TXCLK of external PHY.
102, 101, 100, 97	TXD2_0, TXD2_1, TXD2_2, TXD2_3	O	MII transmit data It is connected to MII_TXD of external PHY. It is sent out at the rising edge of MII2_TXCLK.
96	TXEN2	O	MII transmit enable It is an output signal and is connected to MII_TXEN of external PHY. It is sent out at the rising edge of MII2_TXCLK.
110	COL2	IPL2	MII collision It is an input signal and is connected to the MII_COL of external PHY.
104	RXDV2	I	MII receive data valid It is an input signal and is connected to the MII_RXDV of external PHY. RXDV2 is used to frame RXD2[3:0].
108, 107, 106, 105	RXD2_0, RXD2_1, RXD2_2, RXD2_3	I	Receive data It is NRZ data and is connected MII_RXD[3:0] of external PHY. It is received at the rising edge of MII2_RXCLK.
109	MII2_RXCLK	I	MII receive clock



Pin description (continued)

Pin No.	Label	Type	Description
<b>External RMII0 interface (RMII_EN=1, P4EXT=1)</b>			
88, 87	RXD0_0, RXD0_1	I	RMII receive data It is connected RMII_RXD[1:0] of external PHY or RMII_TXD[1:0] of external MAC.
84	RXDV0	I	RMII receive data valid It is connected RMII_RXDV of external PHY or RMII_TXEN of external MAC.
80, 79	TXD0_0, TXD0_1	O	RMII transmit data It is connected RMII_RXD[1:0] of external MAC or RMII_TXD[1:0] of external PHY.
76	TXEN0	O	RMII transmit enable It is connected RMII_RXDV of external MAC or RMII_TXEN of external PHY.
77	RMII0_CLK_OUT	O	A 50Mhz reference clock output for other RMII devices
89	RMII0_CLK_IN	I	50Mhz RMII reference clock input



Pin description (continued)

Pin No.	Label	Type	Description
<b>External RMII1 interface (RMII_EN=1, MII1_DIS=0, MII1_PHY_MOD=1, P4EXT=1)</b>			
67, 66	RXD1_0, RXD1_1	O	RMII receive data It is connected to RMII_TXD[1:0] of external PHY or RMII_RXD[1:0] of external MAC.
63	RXDV1	O	RMII receive data valid It is connected to RMII_TXEN of external PHY or RMII_RXDV of external MAC.
61, 60	TXD1_0, TXD1_1	I	RMII transmit data It is connected to RMII_RXD[1:0] of external PHY or RMII_TXD[1:0] of external MAC.
57	TXEN1	I	RMII transmit enable It is connected to RMII_RXDV of external PHY or RMII_TXEN of external MAC.
65	RMII1_PHY_CLK_OUT	O	A 50Mhz reference clock output for other RMII devices
59	RMII1_PHY_CLK_IN	I	50Mhz RMII reference clock input





Pin description (continued)

Pin No.	Label	Type	Description
<b>External RMII1 interface (RMII_EN=1, MII1_DIS=0, MII1_PHY_MOD=0, P4EXT=1)</b>			
67, 66	RXD1_0, RXD1_1	I	RMII receive data It is connected to RMII_RXD[1:0] of external PHY or RMII_TXD[1:0] of external MAC.
63	RXDV1	I	RMII receive data valid It is connected to RMII_RXDV of external PHY or RMII_TXEN of external MAC.
61, 60	TXD1_0, TXD1_1	O	RMII transmit data It is connected to RMII_RXD[1:0] of external MAC or RMII_TXD[1:0] of external PHY.
57	TXEN1	O	RMII transmit enable It is connected to RMII_RXDV of external MAC or RMII_TXEN of external PHY.
58	RMII1_MAC_CLK_OUT	O	A 50Mhz reference clock output for other RMII devices
68	RMII1_MAC_CLK_IN	I	50Mhz RMII reference clock input



Pin description (continued)

Pin No.	Label	Type	Description
<b>External RMII2 interface (RMII_EN=1, MII2_EN=1, P4EXT=1)</b>			
108, 107	RXD2_0, RXD2_1	I	RMII receive data It is connected RMII_RXD[1:0] of external PHY or RMII_TXD[1:0] of external MAC.
104	RXDV2	I	RMII receive data valid It is connected RMII_RXDV of external PHY or RMII_TXEN of external MAC.
102,101	TXD2_0, TXD2_1	O	RMII transmit data It is connected RMII_RXD[1:0] of external MAC or RMII_TXD[1:0] of external PHY.
96	TXEN2	O	RMII transmit enable It is connected RMII_RXDV of external MAC or RMII_TXEN of external PHY.
97	RMII2_CLK_OUT	O	A 50Mhz reference clock output for other RMII devices
109	RMII2_CLK_IN	I	50Mhz RMII reference clock input



Pin description (continued)

Pin No.	Label	Type	Description
<b>Force mode (the setting is latched at the end of reset)</b>			
85, 76	P4_FORCE	IPL2	Port4 works at force mode. 1: force mode, disable port4 NWAY capability 0: auto-negotiation with all capability enabled (default)  It's set by pin 85 if MII0 is in PHY mode and it's set by pin 76 if MII0 is in MAC mode.  It is valid only if p4ext is pulled low.
86, 77	P3_FORCE	IPL2	Port3 works at force mode. 1: force mode, disable port3 NWAY capability 0: auto-negotiation with all capability enabled (default)  It's set by pin 86 if MII0 is in PHY mode and it's set by pin 77 if MII0 is in MAC mode.  It is valid only if p4ext is pulled low.
87, 78	P2_FORCE	IPL2	Port2 works at force mode. 1: force mode, disable port2 NWAY capability 0: auto-negotiation with all capability enabled (default)  It's set by pin 87 if MII0 is in PHY mode and it's set by pin 78 if MII0 is in MAC mode.  It is valid only if p4ext is pulled low.
88, 79	P1_FORCE	IPL2	Port1 works at force mode. 1: force mode, disable port1 NWAY capability 0: auto-negotiation with all capability enabled (default)  It's set by pin 88 if MII0 is in PHY mode and it's set by pin 79 if MII0 is in MAC mode.  It is valid only if p4ext is pulled low.
90, 80	P0_FORCE	IPL2	Port0 works at force mode. 1: force mode, disable port0 NWAY capability 0: auto-negotiation with all capability enabled (default)  It's set by pin 90 if MII0 is in PHY mode and it's set by pin 80 if MII0 is in MAC mode.  It is valid only if p4ext is pulled low.



Pin description (continued)

Pin No.	Label	Type	Description
<b>Force mode (the setting is latched at the end of reset)</b>			
103	P4_FORCE100	IPL1	Force port4 work at 100M or 10M. 1: force 100M 0: force 10M (default)  It is used to force speed of the sixth switch port (MAC5) if P4EXT is pulled high. The configuration function is disabled when MII2_EN is pulled high.
104	P3_FORCE100	IPL1	Force port3 work at 100M or 10M. 1: force 100M 0: force 10M (default)  It is used to force speed of the fifth switch port (MAC4) if P4EXT is pulled high. The configuration function is disabled when MII2_EN is pulled high.
105	P2_FORCE100	IPL1	Force port2 work at 100M or 10M. 1: force 100M 0: force 10M (default) The configuration function is disabled when MII2_EN is pulled high.
106	P1_FORCE100	IPL1	Force port1 work at 100M or 10M. 1: force 100M 0: force 10M (default) The configuration function is disabled when MII2_EN is pulled high.
107	P0_FORCE100	IPL1	Force port0 work at 100M or 10M. 1: force 100M 0: force 10M (default) The configuration function is disabled when MII2_EN is pulled high.



Pin description (continued)

Pin No.	Label	Type	Description
<b>Force mode (the setting is latched at the end of reset)</b>			
108	P4_FORCE_FULL	IPL1	Force port4 work at full duplex or half duplex 1: force full duplex 0: force half duplex (default)  It is used to force duplex of the sixth switch port (MAC5) if P4EXT is pulled high. The configuration function is disabled when MII2_EN is pulled high.
109	P3_FORCE_FULL	IPL1	Force port3 work at full duplex or half duplex 1: force full duplex 0: force half duplex (default)  It is used to force duplex of the fifth switch port (MAC4) if P4EXT is pulled high. The configuration function is disabled when MII2_EN is pulled high.
110	P2_FORCE_FULL	IPL1	Force port2 work at full duplex or half duplex 1: force full duplex 0: force half duplex (default) The configuration function is disabled when MII2_EN is pulled high.
111	P1_FORCE_FULL	IPL1	Force port1 work at full duplex or half duplex 1: force full duplex 0: force half duplex (default)  The configuration function is disabled when MII2_EN is pulled high.
112	P0_FORCE_FULL	IPL1	Force port0 work at full duplex or half duplex 1: force full duplex 0: force half duplex (default)  The configuration function is disabled when MII2_EN is pulled high. When MII2_EN, this pin is for SERIAL_LED_MODE setting



Pin description (continued)

Pin No.	Label	Type	Description
<b>Transceiver</b>			
127, 128, 11, 12, 18, 19, 29, 30, 33, 34	RXIP0, RXIM0, RXIP1, RXIM1, RXIP2, RXIM2, RXIP3, RXIM3, RXIP4, RXIM4	I	TP receive
3, 4, 8, 9, 21, 22, 26, 27, 37, 38	TXOP0, TXOM0, TXOP1, TXOM1, TXOP2, TXOM2, TXOP3, TXOM3, TXOP4, TXOM4	O	TP transmit
15	BGRES	O	Band gap resistor.  It is connected to GND through a 6.19 k ohm resistor. Please refer to application circuit for more information.
125, 41, 42, 43, 44	NC	I	
44	FXSD4 (IP175CH only)	I	100Base-FX Signal detect  Port 4 of IP175C can be configured to TP or FX. If FXSD4 is connected to SD of a fiber MAU, port 4 is a fiber port. If FXSD4 is tied to GND, the port 4 is a TP port.  If port 4 is defined to be a fiber port, its speed is forced to be 100M and its duplex is defined in its MII register 4.0.8. Please refer section 2.19 on page 56 for more detail description.



Pin description (continued)

Pin No.	Label	Type	Description
<b>Misc.</b>			
123	X1	I	System clock input or crystal input  It is recommended to connect X1 and X2 to a crystal. If the clock source is from another chip, the clock should be active at least for 1ms before pin 93 RESETB de-asserted.
122	X2	O	Crystal output
93	RESETB	I	Reset, low active
52	TEST2	IPL	Test mode enable  It should be connected to GND for normal operation.
<b>EEPROM</b>			
53	SCL	IPL/O	After reset, it is used as clock pin SCL of EEPROM. Its period is longer than 10us. IP175C/IP175CH stops reading EEPROM if it finds there is no 55AA pattern in address 0. After reading EEPROM, this pin becomes an input pin.
54	SDA	IPH/O	After reset, it is used as data pin SDA of EEPROM. After reading EEPROM, this pin becomes an input pin. It is pulled up in 24C01A application circuit.
<b>SMI</b>			
71, 70	MDC0, MDIO0	IPL	SMI0  The external MAC device uses the interface to access IP175C/IP175CH's MII registers.
113, 74	MDC1, MDIO1	IPL/O	SMI1  IP175C/IP175CH uses the interface to polling the MII registers of external PHY to get its status. It is active only if p4ext is pulled high.  If the external PHY doesn't support SMI, the polling result will be 16'hFFFF, and IP175C/IP175CH suppose the link status is good.



Pin description (continued)

Pin No.	Label	Type	Description
<b>LED</b>			
92, 91	LED_SEL[1:0]	IPH	LED output mode selection.  LED_SEL[1:0]=00: LED mode 0, LED_SEL[1:0]=01: LED mode 1, dual color mode LED_SEL[1:0]=10: LED mode 2, LED_SEL[1:0]=11: LED mode 3 (default)
110, 107, 104, 101, 96	LED_LINK[4:0]	O	Link, Activity (output after reset)  LED mode0: 100M Link + Activity (same as mode 2) LED mode1: LED mode2, 100M Link + Activity (1: 100M Link fail, 0: 100M Link ok and no activity, flash: 100M Link ok and TX/RX activity) LED mode3: Link + Activity (1: link fail, 0: link ok, flash: Link ok and TX/ RX activity)
111, 108, 105, 102, 97	LED_SPEED[4:0]	O	Speed (output after reset)  LED mode0: (1: no collision, flash: collision) (note*) LED mode1: LED mode2: Full/half: (1: half, 0: full, flash: collision) LED mode3: (1: speed=10M, 0: speed=100M)
112, 109, 106, 103, 100	LED_FULL[4:0]	O	Full/half, Link (output after reset)  LED mode0, 10M Link + Activity (same as mode 2) LED mode1, same as mode 3 LED mode2, 10M Link + Activity (1: 10M Link fail, 0: 10M Link ok and no activity, flash: 10M Link ok and TX/RX activity) LED mode3: Full/half: (1: half, 0: full, flash: collision)

**Note:** LED\_SPEED[0] shows collision information for all ports. LED\_SPEED[4:1] is undefined.



Pin description (continued)

Pin No.	Label	Type	Description																									
<b>Dual color mode LED (It is active when LED_SEL[1:0] is {0,1}.)</b>																												
110, 107, 104, 101, 96	LED_LINK[4:0]	O	Application circuit 																									
111, 108, 105, 102, 97	LED_SPEED[4:0]	O																										
				<table border="1"> <thead> <tr> <th></th> <th>Type</th> <th>LED_LINK</th> <th>LED_SPEED</th> </tr> </thead> <tbody> <tr> <td>Link off</td> <td>O</td> <td>0</td> <td>0</td> </tr> <tr> <td>100M link</td> <td>O</td> <td>1</td> <td>0</td> </tr> <tr> <td>100M link/ Activity</td> <td>O</td> <td>Flash</td> <td>0</td> </tr> <tr> <td>10M link</td> <td>O</td> <td>0</td> <td>1</td> </tr> <tr> <td>10M link/ Activity</td> <td>O</td> <td>0</td> <td>Flash</td> </tr> </tbody> </table>		Type	LED_LINK	LED_SPEED	Link off	O	0	0	100M link	O	1	0	100M link/ Activity	O	Flash	0	10M link	O	0	1	10M link/ Activity	O	0	Flash
	Type	LED_LINK		LED_SPEED																								
Link off	O	0		0																								
100M link	O	1		0																								
100M link/ Activity	O	Flash		0																								
10M link	O	0	1																									
10M link/ Activity	O	0	Flash																									
112, 109, 106, 103, 100	LED_FULL[4:0]	O	Full/half, Link (output after reset) Full/half: (1: half, 0: full, flash: collision)																									
<b>Serial LED (MII2_EN=1)</b>																												
112	SDATA	O	LED serial data																									
111	SCLK	O	LED serial clock																									
			Normal mode: 312.5KHz, Speed_up mode: 10MHz																									
<b>Power</b>																												
72, 98	VCC_O_1, VCC_O_2		3.3V power																									
1, 6, 10, 14, 20, 24, 28, 35, 40	AVCC		1.8v power																									
46, 47, 50, 55, 82, 94, 114, 115, 124	VCC		1.8v power																									



## 2 Functional Description

### 2.1 Flow control

IP175C/IP175CH supports the standard 802.3X flow control frames on both transmit and receive sides. On the receive side, if IP175C/IP175CH receives a pause control frame, the IP175C/IP175CH will defer transmitting next normal frame; on the transmit side, IP175C/IP175CH issues pause control frame (Pause On, time slot count = 0xffff) to remote station when the output queue of the destination port is higher than high water mark threshold. When the output queue of the destination port is lower than low water mark threshold, IP175C/IP175CH issues pause control frame (Pause Off, time slot count = 0) to restart transmission. Besides, IP175C/IP175CH provides an additional protect function, when it issues continuous 16 times of Pause ON frame (network abnormal), no more Pause ON frame will be send. The source address (SA) of pause control frame will be { IP175C/IP175CH OUI (0090C3), port number}. For example, the SA of port 1 pause control frame will be " 00 90 C3 00 00 01".

When CoS is enabled, IP175C/IP175CH may disable the flow control function for a short term to guarantee the bandwidth of high priority packets. A port disables its flow control function for 2 ~ 3 seconds when it receives a high priority packet. It doesn't transmit pause frame or jam pattern during the period but it still responses to pause frame or jam pattern.

### 2.2 Broadcast storm protection

A port of IP175C/IP175CH begins to drops broadcast packets if the received broadcast packets are more than the threshold defined in MII register 30.11[15:14] or EEPROM register 59[7:6] bq\_stm\_thr\_sel [1:0] in 10ms (100Mbps) or 100ms (10Mbps)

The function can be enabled by pulling high pin 102 BF\_STM\_EN or programming MII register 29.18.11.

### 2.3 Port locking (Port security)

IP175C/IP175CH supports port locking. Each port can be configured individually by programming MII register 30.10[5:0] or EEPROM 57[5:0]. User has to reset IP175C/IP175CH to disable the function by writing 16'h175C to MII register 30.0 after enabling this function. IP175C/IP175CH locks first MAC address if the function is enabled. Any packet with MAC address not equal to the locked one will be dropped. The aging function is recommended to be disabled, if port locking is enabled.

### 2.4 Port base VLAN

IP175C/IP175CH supports port base VLAN functions. It separates IP175C/IP175CH into some groups (VLAN). A port is limited to communicate with other ports within the same group when the function is enabled. Frames will be limited in a VLAN group and will not be forwarded out of this VLAN group. A port can be assigned to one or more VLAN groups. The members (ports) of a VLAN group are assigned by programming EEPROM register 14~18 or MII register 19~21.

## 2.5 Tag VLAN / Tag and un-tag function

### 2.5.1 Tag and un-tag function

IP175C/IP175CH inserts or removes a tag of a frame if tagging/ un-tagging function is enabled. It is enabled by programming MII register 29.23. The operation is illustrated as follows. The tag information is defined in MII register 29.24~29.30 and EEPROM register 24~38.

Frame type of the received packet	The operation of a port which forwards the packet	
	Forward to a untagged field	Forward to a tagged field
Untagged	Forward the packet without modification	<ol style="list-style-type: none"> <li>1. Insert a tag using the default VLAN tag value of the source port</li> <li>2. Calculate new CRC</li> <li>3. The default VLAN tag value is defined in the MII register 29.24~29.30.</li> </ol>
Priority-tagged (VLAN ID=0)	<ol style="list-style-type: none"> <li>1. Strip tag</li> <li>2. Calculate new CRC</li> </ol>	<ol style="list-style-type: none"> <li>1. Keep priority field.</li> <li>2. Replace the tag with the default VLAN tag value of the source port</li> <li>3. Calculate new CRC</li> <li>4. The default VLAN tag value is defined in the MII register 29.24~29.30.</li> </ol>
VLAN-tagged	<ol style="list-style-type: none"> <li>1. Strip tag</li> <li>2. Calculate new CRC</li> </ol>	Forward the packet without modification

### 2.5.2 Tag VLAN

If tag VLAN function is enabled (MII register 30.9.7 TAG\_VLAN\_EN is logic high), IP175C/IP175CH forwards a packet according to MAC address and VLAN output port masks, defined in MII register 30.1~30.8. A tagged packet is forwarded to the ports belonging to the same VLAN of the packet. One of the sixteen VLAN output port masks is selected by VID index, which is four bits selected from VID field in a tag. VID index is defined in MII register 30.9[6:4] VID\_IDX\_SEL. For example, VLAN output port mask 1 is selected if VID index selected by VID\_IDX\_SEL is equal to 1.

IP175C/IP175CH handles an un-tagged packet using the default VLAN tag value of its source port. A packet with VID equal to 12'b0 will be handled as un-tag frame.

### 2.5.3 Tag/ un-tag function and Tag VLAN function in a router application

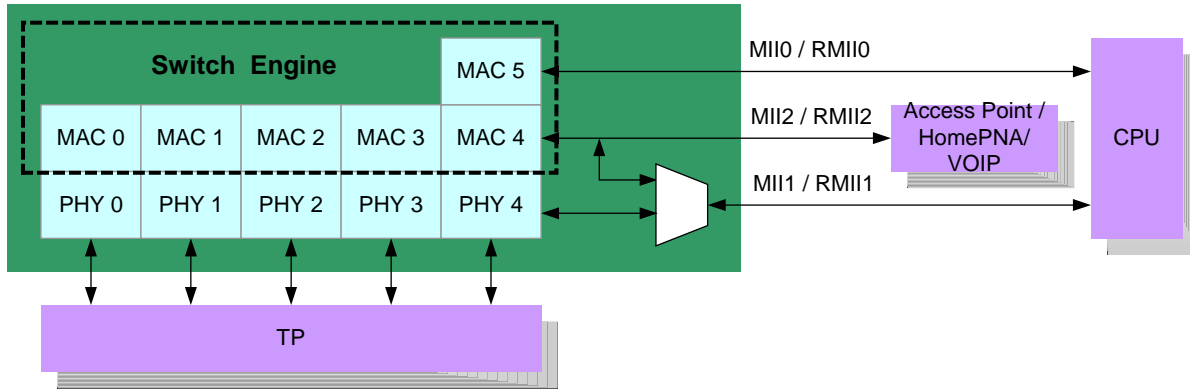
Tag/ un-tag and Tag VALN are necessary in a router application with one-MAC CPU, MII0 is connected to CPU and MII1 is disabled (DIS\_MII1=1). PHY0~4 are connected to switching engine MAC 0~4 and MII0 is connected to switching engine MAC5.

In this application, MII0 is defined as a tagged port and the other ports (port 0~4) are defined as un-tagged ports. IP175C/IP175CH inserts VLAN tag into packets with source port information when it forwards the packets to MII0. The VLAN tags are defined in MII register 29.24~29.30. CPU can identify the source port of a packet by examining the VLAN tag.

CPU inserts VLAN tag into packets with destination port information following the content in MII register 29.24~29.30 when it sends packets to MII0. IP175C/IP175CH forwards a packet from MII0 to the appropriate port according to the MAC address and VLAN tag. IP175C/IP175CH removes the VLAN tag when it forwards the packet.

## 2.6 MII/RMII

IP175C/IP175CH supports three MII/RMII ports. The block diagram and detail configuration are shown below. It is noted that MII2 and MII1 MAC mode can't be enabled at the same time. That is, user should not use MII2 if pin 54 MII1\_PHY\_MOD is pulled low.



I/F	mode	Int	ext	p4ext	mii1_dis	mii2_en	p4mii_sni	rmii_en	mii0_mac_mod	mii1_phy_mode	mii2_mac_mod
<b>MII0</b>											
MII	PHY mode	MAC5	MAC	1	X	X	0	0	0	X	X
MII	MAC mode	MAC5	PHY	1	X	X	0	0	1	X	X
RMII	MAC	MAC5	Note1	1	X	X	0	1	X	X	X
SNI	PHY mode	MAC5	MAC	1	X	X	1	0	0	X	X
SNI	MAC mode	MAC5	PHY	1	X	X	1	0	1	X	X
<b>MII1</b>											
MII	PHY mode	PHY4	MAC	1	0	X	X	0	X	1	X
MII	MAC mode	MAC4	PHY	1	0	0	X	0	X	0	X
RMII	PHY mode	PHY4	MAC	1	0	X	X	1	X	1	X
RMII	MAC mode	MAC4	PHY	1	0	0	X	1	X	0	X
<b>MII2</b>											
MII	PHY mode	MAC4	MAC	1	X	1	X	0	X	X	0
MII	MAC mode	MAC4	PHY	1	X	1	X	0	X	X	1
RMII	MAC	MAC4	Note1	1	X	1	X	1	X	X	X

**Note1:** The port can be connected to an external PHY or MAC device.

**Note2:** All ports are configured as MII/RMII by pin 113 RMII\_EN. Each port can be configured as MII/RMII by programming MII register 31.5[10:8].

**Note3:** RMII\_EN takes precedence of P4MII\_SNI.

**Abbreviation:**

I/F: the type of interface

Mode: the port works as a MAC or a PHY

Int: the internal block to which the MII port is connected

Ext: the external device to which the MII port is connected

MAC4: the port 4 of switch engine

MAC5: the port 5 of switch engine

PHY4: the port 4 of PHY



**To define the speed, duplex and pause of MII port**

The speed and duplex of MII port can be configured through pins or registers. IP175C/IP175CH's MII register is not fully compatible to IP175A's. User has to fill MII register 29.31 with 16'h175C before accessing MII registers. The details are shown in the following tables.

MII0 PHY mode (interface to an external MAC, MII registers can be accessed via MDC0, MDIO0)

	Pin	EEPROM		MII register		
		Name	Reg	Name	Phy	Reg
MII0 speed	P4_FORCE_100	P4_FORCE_100	20.4	P4_FORCE_100	29	22.10
MII0 duplex	P4_FORCE_FULL	P4_FORCE_FULL	21.4	P4_FORCE_FULL	29	22.5
MII0 pause	--	MAC_X_EN	4.3	MAC_X_EN	29	18.10

MII0 MAC mode (interface to an external PHY), there are two ways to set MII0 speed, duplex and pause.  
1. Decided by reading the MII registers 0~5 of external PHY through MDC1, MDIO1.

MII0 Speed Duplex Pause	<ol style="list-style-type: none"> <li>1. IP175C/IP175CH polls the external PHY with address defined in MII register 31.3[4:0]. The default address value is 00000.</li> <li>2. After reset, IP175C/IP175CH writes the speed/duplex/pause capability to the external PHY using the content of MII register 31.3[12:8].</li> <li>3. IP175C/IP175CH reads MII register 0~5 of external PHY as MII0 speed, duplex and pause continuously.</li> </ol>
----------------------------------	---

2. Force mode (MDC1 and MDIO1 are not connected to external PHY)

	Pin	EEPROM		MII register		
		Name	Reg	Name	Phy	Reg
MII0 speed	P4_FORCE_100	P4_FORCE_100	20.4	P4_FORCE_100	29	22.10
MII0 duplex	P4_FORCE_FULL	P4_FORCE_FULL	21.4	P4_FORCE_FULL	29	22.5
MII0 pause	--	MAC_X_EN	4.3	MAC_X_EN	29	18.10



MII1 PHY mode (interface to an external MAC, MII registers can be accessed via MDC0, MDIO0)  
The PHY address of MII1 PHY mode is 4.

	Pin	EEPROM		MII register		
		Name	Reg	Name	Phy	Reg
MII1 speed/duplex/pause	--	--			4	0~5

MII1 MAC mode (interface to an external PHY), there are two ways to set MII1's speed, duplex and pause.

1. IP175C/IP175CH reads the MII registers 0~5 of external PHY through MDC1, MDIO1.

MII1 Speed Duplex Pause	<ol style="list-style-type: none"><li>1. IP175C/IP175CH polls the external PHY with address defined in MII register 31.4[4:0]. The default address value is 00001.</li><li>2. After reset, IP175C/IP175CH writes the speed/duplex/pause capability to the external PHY using the content of MII register 31.4[12:8].</li><li>3. IP175C/IP175CH reads MII register 0~5 of external PHY as MII1 speed, duplex and pause continuously.</li></ol>
----------------------------------	---

2. Force mode (MDC1 and MDIO1 are not connected to external PHY)

	Pin	EEPROM		MII register		
		Name	Reg	Name	Phy	Reg
MII1 speed	P3_FORCE_100	P3_FORCE_100	20.3	P3_FORCE_100	29	22.9
MII1 duplex	P3_FORCE_FULL	P3_FORCE_FULL	21.3	P3_FORCE_FULL	29	22.4
MII1 pause	--	MAC_X_EN	4.3	MAC_X_EN	29	18.10



MII2 PHY mode (interface to an external MAC, MII registers can be accessed via MDC0, MDIO0)

	Pin	EEPROM		MII register		
		Name	Reg	Name	Phy	Reg
MII2 speed	P3_FORCE_100	P3_FORCE_100	20.3	P3_FORCE_100	29	22.9
MII2 duplex	P3_FORCE_FULL	P3_FORCE_FULL	21.3	P3_FORCE_FULL	29	22.4
MII2 pause	--	MAC_X_EN	4.3	MAC_X_EN	29	18.10

MII2 MAC mode (interface to an external PHY), there are two ways to set MII2 speed, duplex and pause.

1. IP175C/IP175CH reads the MII registers 0~5 of external PHY through MDC1, MDIO1.

MII2 Speed Duplex Pause	<ol style="list-style-type: none"><li>1. IP175C/IP175CH polls the external PHY with address defined in MII register 31.4[4:0]. The default address value is 00001.</li><li>2. After reset, IP175C/IP175CH writes the speed/duplex/pause capability to the external PHY using the content of MII register 31.4[12:8].</li><li>3. IP175C/IP175CH reads MII register 0~5 of external PHY as MII2 speed, duplex and pause continuously.</li></ol>
----------------------------------	---

2. Force mode (MDC1 and MDIO1 are not connected to external PHY)

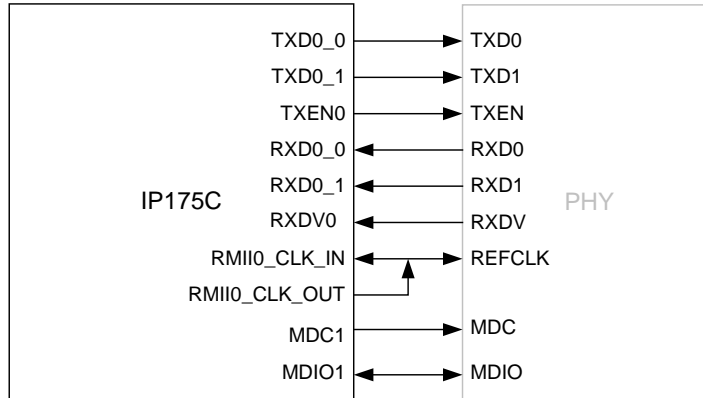
	Pin	EEPROM		MII register		
		Name	Reg	Name	Phy	Reg
MII2 speed	P3_FORCE_100	P3_FORCE_100	20.3	P3_FORCE_100	29	22.9
MII2 duplex	P3_FORCE_FULL	P3_FORCE_FULL	21.3	P3_FORCE_FULL	29	22.4
MII2 pause	--	MAC_X_EN	4.3	MAC_X_EN	29	18.10

**The application circuit of RMII**

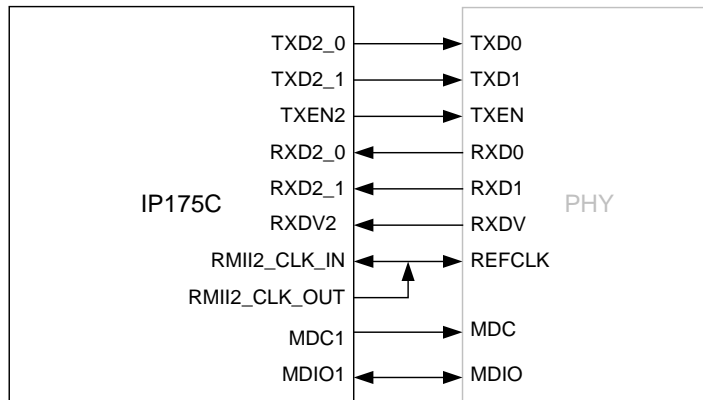
(P4EXT=1, P4MII\_SNI=0, RMII\_EN=1)

When RMII mode is enabled, IP175C/IP175CH supports reference clock RMII\_CLK\_OUT for each RMII port. The clock is used by the external PHY (or MAC) and 175C itself.

The following circuit diagram is the RMII circuit of MII0.

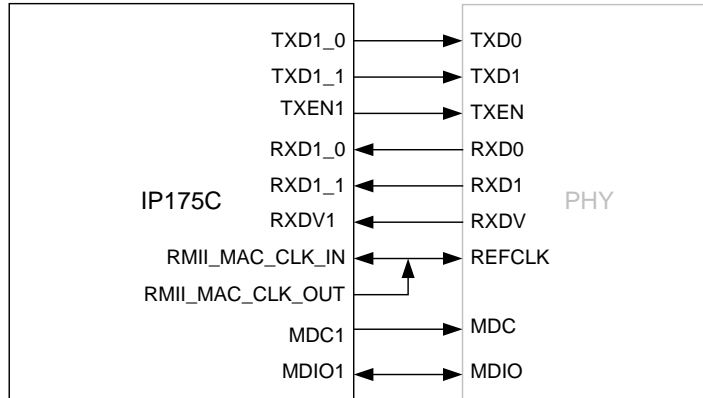


The following circuit diagram is the RMII circuit of MII2.

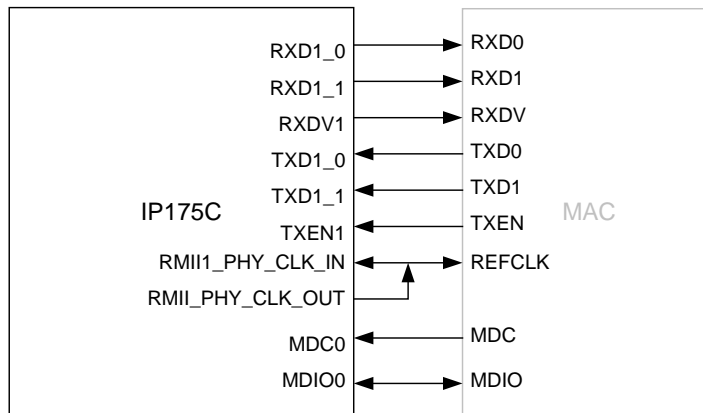




The following circuit diagram is the RMI1 circuit of MII1 MAC mode.



The following circuit is the RMI1 circuit of MII1 PHY mode.

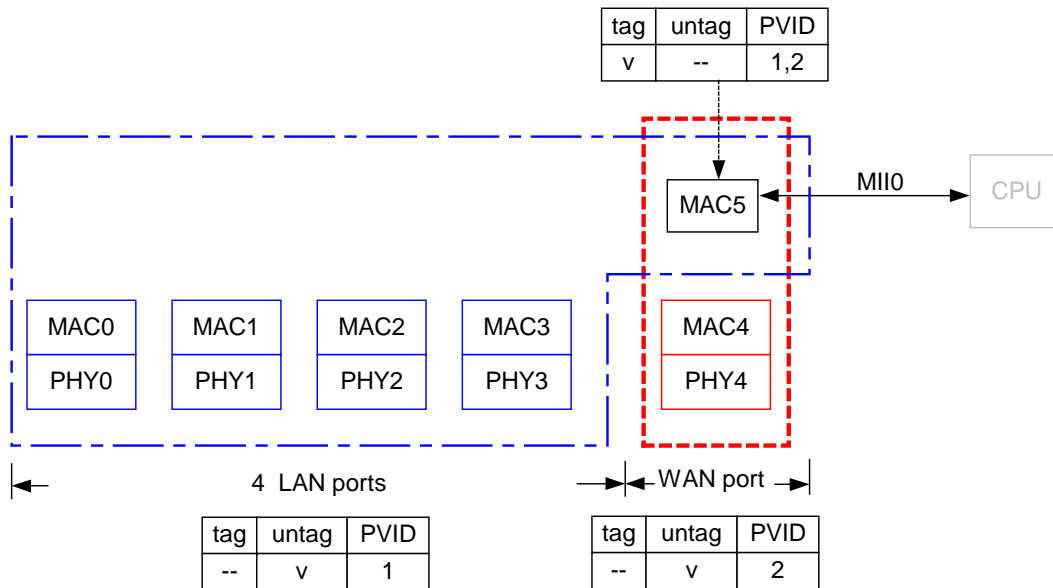


## 2.7 SMART MAC

IP175C/IP175CH supports SMART MAC function to solve locked Card's ID issue. The SMART MAC function can be configured to 4LAN+1WAN, 3LAN+2WAN, 2LAN+3WAN or 1LAN+4WAN. The following example illustrates the behavior of IP175C/IP175CH SMART MAC function for 4LAN + 1WAN.

### 2.7.1 System configuration

The system configuration and its register programming are shown in the following diagram and table.



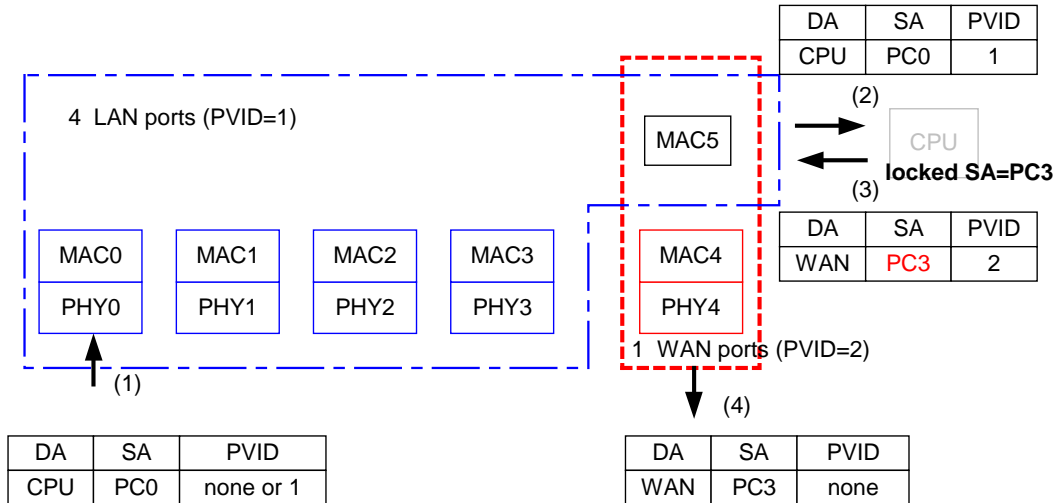


A programming example of SMART MAC example

Register	Content	Description
<b>Tag/ un-tag function setup</b>		
29.23[0]	0	MII0 doesn't strip the tag of an outgoing packet.
29.23[1]	1	MII0 adds a tag to an outgoing packet.
29.23[10:6]	11111	Port0~4 strip the tag of an outgoing packet.
29.23[15:11]	00000	Port0~4 doesn't add a tag to an outgoing packet.
<b>PVID function setup</b>		
29.24~27	16'h0001	Define PVID of port0~port3
29.28	16'h0002	Define PVID of port4
29.30	16'h0002	Define PVID of MII0
<b>VLAN Mask function setup</b>		
30.1[13:8]	6'h2f	TAG_VLAN_MASK_1
30.1[5:0]	6'h30	TAG_VLAN_MASK_2
<b>SMART MAC function setup</b>		
30.9[2:0]	001	Define 1 LAN group
30.9[3]	1	Enable router function
30.9[6:4]	000	Define VID index as 000
30.9[7]	1	Enable tag VLAN
30.9[12:8]	10000	Define port 4 as a WAN port

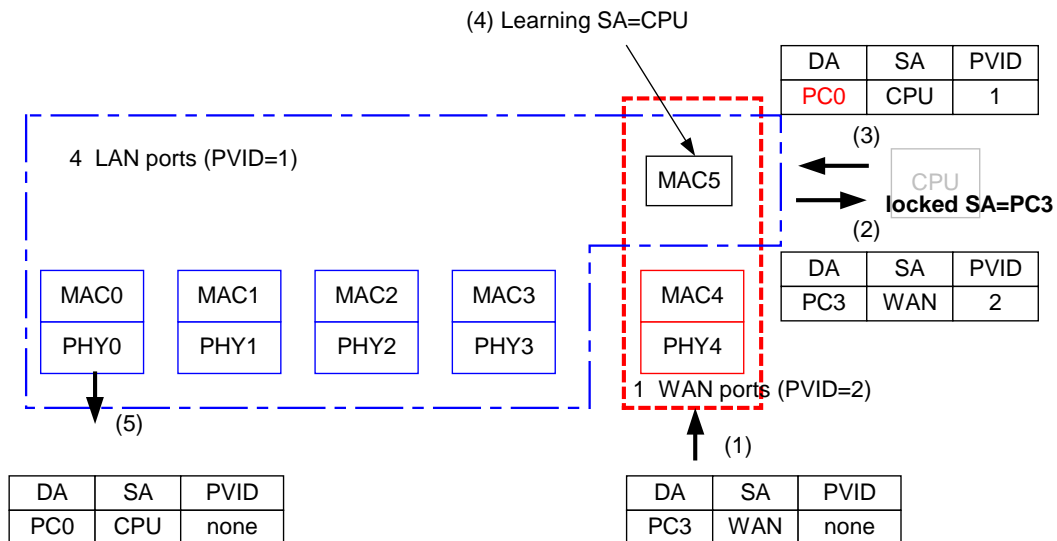
### 2.7.2 Packet from LAN to WAN

1. PC0 sends a packet to a LAN port with SA equal to PC0 without PVID or PVID equal to 1
2. IP175C/IP175CH forwards the packet to CPU (MII0) with PVID equal to 1.
3. CPU replaces the SA with locked address PC3, replaces PVID with 2 and sends it to IP175C/IP175CH.
4. IP175C/IP175CH forwards the packet to port4 (WAN port).



### 2.7.3 Packet from WAN to LAN

1. WAN port receives a packet with locked address PC3.
2. IP175C/IP175CH adds a PVID equal to 2 and forwards the packet to CPU (MII0).
3. CPU updates the DA, replaces PVID with 1 and sends it to IP175C/IP175CH.
4. IP175C/IP175CH learns the SA.
5. IP175C/IP175CH forwards the packet to port0 according to the DA.





## 2.8 Built in regulator

IP175C/IP175CH is built in one linear regulator. It use pin 120 REG\_OUT to control an external transistor to generator a stable voltage source. IP175C/IP175CH generates a voltage source between 1.70v ~ 2.00v.



## 2.9 CoS

IP175C/IP175CH supports two type of CoS. One is port base priority and the other is frame base priority. IP175C/IP175CH supports two levels of priority queues.

### 2.9.1 Port base priority

The packets received from high priority port will be handled as high priority frames if the port base priority is enabled. It is enabled by programming the “high priority port enable” bit in MII register 29.19~29.21 or EEPROM register 14~18. Each port of IP175C/IP175CH can be configured as a high priority port individually.

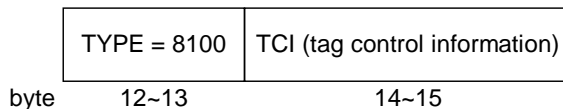
### 2.9.2 Frame base priority

#### 2.9.2.1 VLAN tag and TCP/IP TOS

IP175C/IP175CH examines the specific bits in VLAN tag and TCP/IP TOS for priority frames if the frame base priority is enabled. A high priority packet will be queued into the high priority queue; this action will ensure more bandwidth is allocated for the high priority packets in the transmission. The packets will be handled as high priority frames if the tag value meets the high priority requirement, that is, priority bits in a VLAN tag bigger than 3 or TCP/IP TOS field not equal to 3'b000. It is enabled by programming the “class of service enable” bit in MII register 29.19~29.21 or EEPROM register 14~18. The frame base priority function of each port can be enabled individually.

The ratio of bandwidth of high priority and low priority queue is defined in MII register 30.12[4] or EEPROM 60[4].

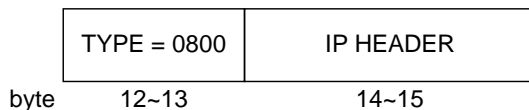
VLAN field



TCI definition:

Bit[15:13]: User Priority 7~0  
 Bit 12: Canonical Format Indicator (CFI)  
 Bit[11~0]: VLAN ID.  
 IP175C uses bit[15:13] to define priority.

TOS field



IP header definition:

Byte 14  
 Bit[7:0]: IP protocol version number & header length.

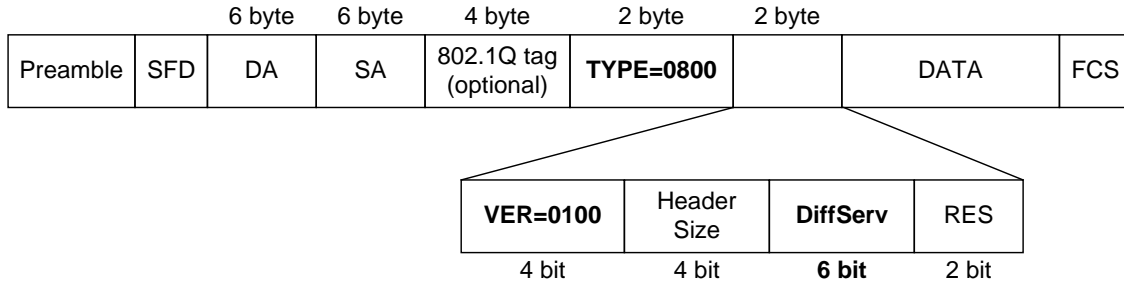
Byte 15: Service type  
 Bit[7~5]: IP Priority (Precedence ) from 7~0  
 Bit 4: No Delay (D)  
 Bit 3: High Throughput  
 Bit 2: High Reliability (R)  
 Bit[1:0]: Reserved  
 IP175C uses bit[4:2] to define priority.



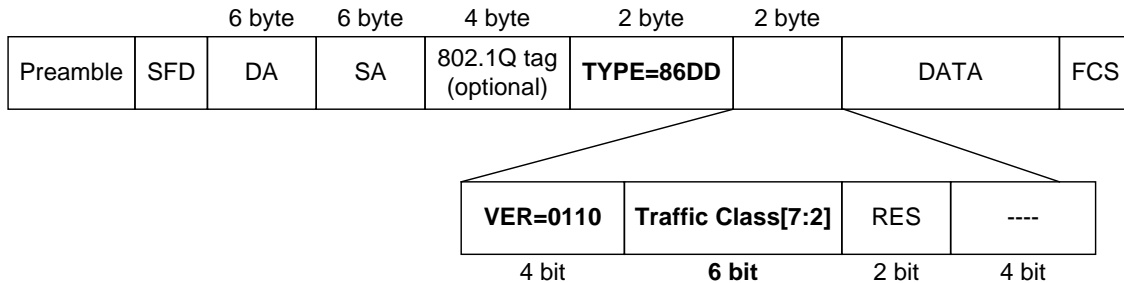
### 2.9.2.2 IPv4/IPv6 DiffServ

IP175C/IP175CH checks the DiffServ field of a IPv4 frame or Traffic class field [7:2] (TC[7:2]) of a IPv6 frame and uses them to decide the frame's priority if MII register 30.27.0 DIFFSEV\_EN is enabled. IP175C/IP175CH uses DiffServ or TC[7:2] as index to select one of 64 bits defined in the MII register 30.28~31 DSCP[63:0]. If the bit is "1", the received frame is handled as a high priority frame.

IPv4 frame format



IPv6 frame format





## 2.10 Spanning tree

IP175C/IP175CH supports spanning tree function with the following features:

1. Detect BPDU frames by examining multicast address (01-80-c2-00-00-00).
2. Forward BPDU packets to CPU through MII0 and add special tag for source port information.
3. Forward BPDU packets from CPU according to the special tag in a frame.

Please refer to section 2.5 "Tag VLAN / Tag and un-tag function".

### 2.10.1 Port states

To support spanning tree protocol, each port of IP175C/IP175CH provides five port states shown in the following table. Port 0~4 of IP175C/IP175CH can be configured in one of the five spanning tree states individually by programming MII register 30.16 to enable (disable) forwarding and learning function. Port 5 (MII0) is dedicated for CPU.

State	Fwd BPDU packet to CPU	Fwd BPDU packet from CPU	Address learning	Fwd all packet normally	(Forward enable, Learning enable)
Disable	X (note 2)	X (note 2)	X	X	(0,0)
Blocking	O	X (note 3)	X	X	(0,0)
Listening	O	O	X	X	(0,0)
Learning	O	O	O	X	(0,1)
Forwarding	O	O	O	O	(1,1)

**Note1:** O: enabled, X: disabled

**Note2:** CPU should not send packets to IP175C/IP175CH and should discard packets from IP175C/IP175CH.

**Note3:** CPU should not send packets to IP175C/IP175CH.





## 2.11 Special tag

IP175C/IP175CH supports special tag function to exchange switching information with CPU without involving VLAN tag information. The special tag function is enabled by programming MII register 30.16.7 STAG\_EN.

### 2.11.1 From CPU to switch

When special tag function is enabled, IP175C/IP175CH forwards packets from MII0 (CPU) by checking special tag added by CPU. The tag definition is shown in the following table. IP175C/IP175CH will remove the special tag 81XX and re-calculate CRC when it forwards the packet to a un-tag field. IP175C/IP175CH will update the special tag to 8100 and re-calculate CRC when it forwards the packet to a tag field.

Preamble	SFD	DA	SA	81XX(special tag)	Data	CRC
----------	-----	----	----	-------------------	------	-----

Special tag 81XX			
Bit[15:12]	bit[11:8]	bit[7:5]	bit[4:0]
8	1	3'b0	00001: instruct 175C forwards the packet to port 0 00010: instruct 175C forwards the packet to port 1 00100: instruct 175C forwards the packet to port 2 01000: instruct 175C forwards the packet to port 3 10000: instruct 175C forwards the packet to port 4

### 2.11.2 From switch to CPU

When special tag function is enabled, IP175C/IP175CH sends packets to MII0 (CPU) with source port information by adding special tag to the frame. IP175C/IP175CH will add the special tag 81XX and re-calculate CRC when it receives the packet from a un-tag field. IP175C/IP175CH will update the tag 8100 to 81XX and re-calculate CRC when it receives the packet from a tag field. The tag definition is shown in the following table.

Special tag 81XX			
Bit[15:12]	bit[11:8]	bit[7:5]	bit[4:0]
8	1	3'b0	00001: the source port of the packet is port 0 00010: the source port of the packet is port 1 00100: the source port of the packet is port 2 01000: the source port of the packet is port 3 10000: the source port of the packet is port 4



## 2.12 Static MAC address table

IP175C/IP175CH supports a static MAC address table, which contains two MAC address. When IP175C/IP175CH receives a packet whose destination address matches the pre-defined MAC address in the table, it forwards the packets to a specific port defined in the MII register 30.26[13:8] static\_port\_mask\_1 and 30.26[5:0] static\_port\_mask\_0. Use can setup the MAC address table and static port mask by programming MII register 30.20~30.26. The static MAC address table has precedence over the dynamic DA look up result.

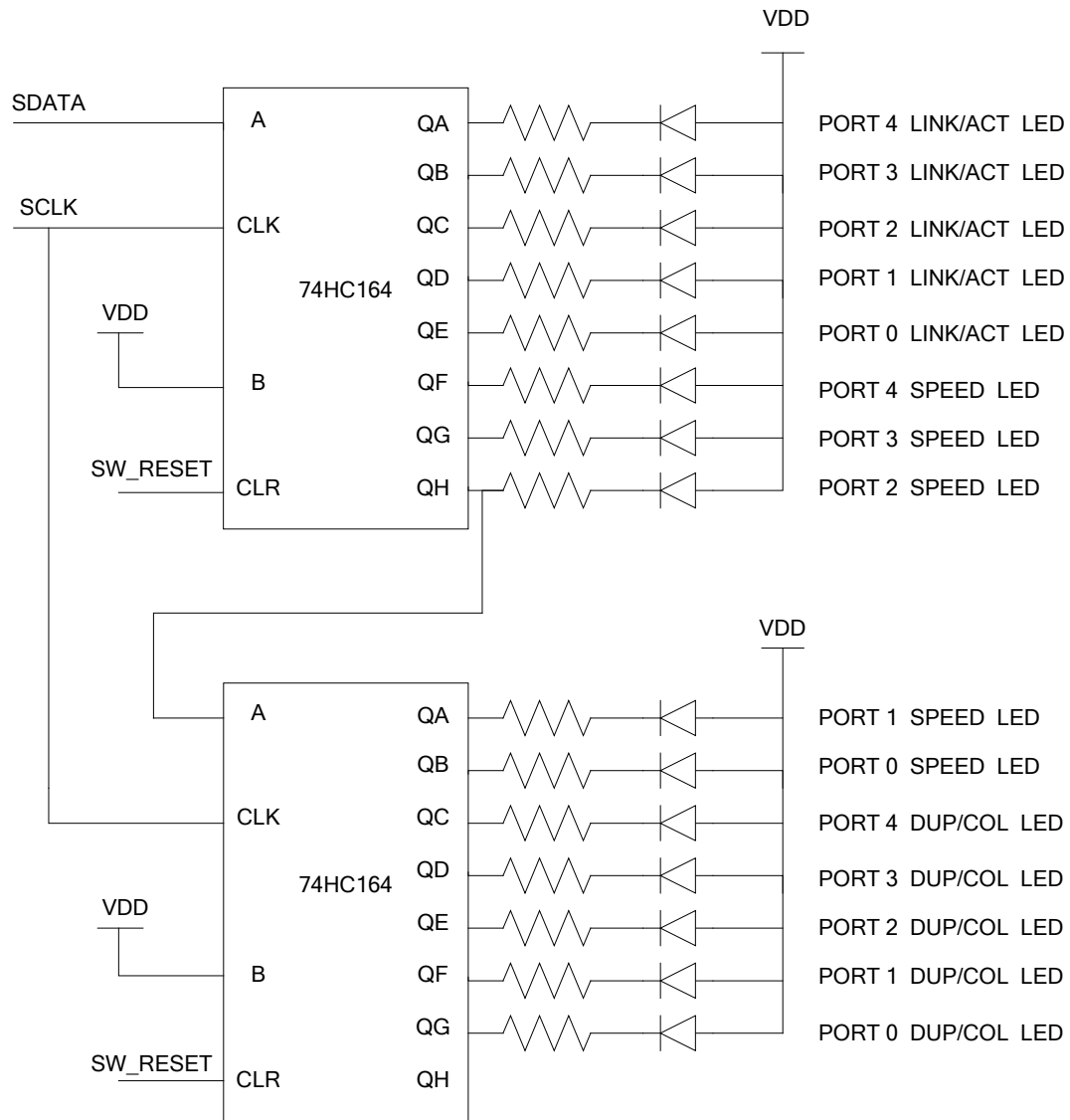
In a spanning tree application, the MII register 30.26[7] static\_override\_0 is "1", MII register 30.26[6] static\_valid\_0 is "1", the MII register 30.20~22 MAC address field is 01-80-c2-00-00-00 and the MII register 30.26[5:0] static\_port\_mask\_0 is 6'b100000 (MII0). That is, IP175C/IP175CH will forward BPDU to MII0 (CPU) only in spite of the port states.

### 2.13 Serial mode LED

When MII/RMII2 is enabled, there are not enough pins for LED and IP175C/IP175CH sends out LED information through pin 111 SCLK and pin 112 SDATA. It is necessary to use a TTL chip to decode and drive the LED. The application circuit is shown below.

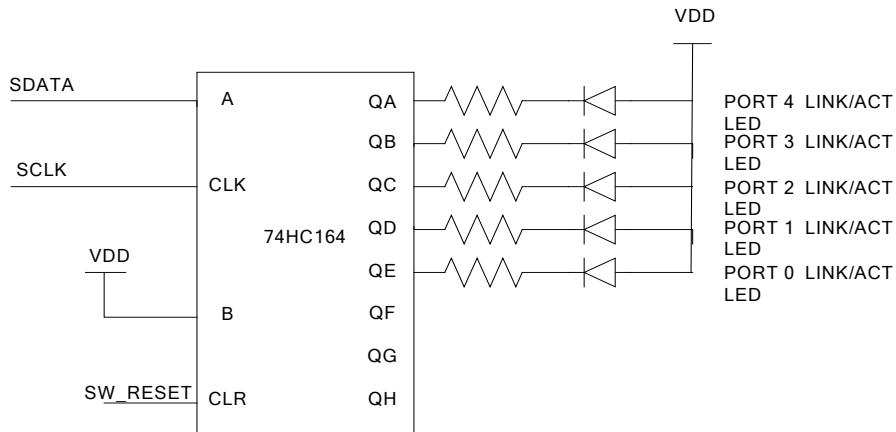
IP175C/IP175CH supports two types of serial LED mode and can be set by PIN112 or MII register 31.5[1]. The default value is 0 (SERIAL\_LED\_MODE = 0) and can be set to 1 by pulling up PIN112 (4.7K) or writing 1 to MII register 31.5[1].

(SERIAL\_LED\_MODE=0, IP175C/IP175CH supports link, speed, and duplex LED)





([SERIAL\\_LED\\_MODE= 1](#), IP175C/IP175CH supports link LED only.)



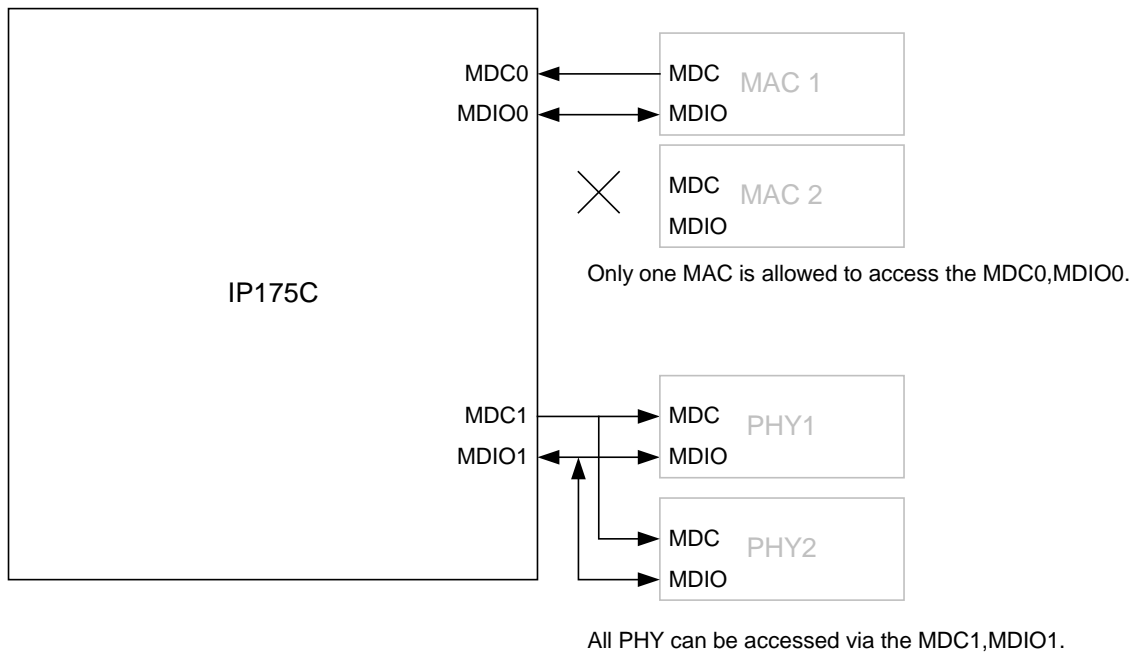


**2.14 LED Blink Timing**

LED mode	Blinking speed
Serial mode update period	22 ms (44ms/2)
Active led blink	On -> Off 44ms -> On 176ms -> Off 44ms ...
Collision led blink	Off -> On 176ms -> Off 44ms -> On 176ms ...
Link quality fail blink	On 2s -> Off 2s -> On 2s -> Off 2s ...
Neon like LED(initial setup LED)	On 286ms -> Off 2s -> On 286ms -> Off 2s ...



The application of SMI





## 2.16 Force mode of PHY

Px_FORCE	0	1	1	1	1
Px_FORCE_100	X	1	1	0	0
Px_FORCE_FULL	X	1	0	1	0
IP175C/IP175CH's capability	NWAY	100/Full	100/Half	10/Full	10/Half
IP175C/IP175CH's link result	100/Full	100/Full	100/Half	10/Full	10/Half
Link partner's (Nway enabled with all capability) link result	100/Full	100/Half	100/Half	10/Half	10/Half

Note: Px\_FORCE, Px\_FORCE\_100, and Px\_FORCE\_full are force mode configuration pins. X is port number. It is from 0 to 4.

## 2.17 Reset

The IP175C/IP175CH supports three kinds of reset function.

**1. Hardware Reset:** Pin 93 RESETB should be asserted LOW at least for 5ms to reset IP175C/IP175CH. The IP175C/IP175CH gets initial values from pins and 24C01A EEPROM after reset.

**2. Software Reset:** After Hardware Reset, user can write 16'h175C to PHY 30 Register 0 via SMI to reset IP175C/IP175CH. The IP175C/IP175CH resets all of PHYs and Switch Engine, but IP175C/IP175CH does not load initial values from pins and 24C01A EEPROM.

**4. PHY Reset:** Please write "1" to bit 15 of MII register 0 to reset the PHY. The PHY address is from 0 to 4 for port 0~4 respectively.

## 2.18 Bandwidth control

IP175C/IP175CH provides the bandwidth control mechanism to manage or control the data rate on a limited bandwidth network. By controlling the ingress data rate and the egress data rate, it provides a bandwidth management solution for local area networks and also provides quick and easy allocation of uplink or downlink speeds to meet and guarantee a wide range of customer bandwidth requirements. IP175C/IP175CH provides the easiest way to allocate bandwidth for each port, which defined in MII registers 31.2 ~ 31.0 or EEPROM registers 95 ~ 90. The ingress/egress data rate control range is from 128 kbps to 8 Mbps for each port.

## 2.19 Fiber mode of port 4 (for IP175CH only)

When FXSD4 is pulled high, port 4 will be 100Mbps fiber mode. There are two kinds of methods to set full duplex or half duplex.

### 1. Setting from Pin or EEPROM

P4EXT: 0.

Duplex mode	P4_FORCE	P4_FORCE_100	P4_FORCE_FULL
Full duplex	1	1	1
Half duplex	1	1	0

P4EXT: 1

Duplex mode	P4_FORCE	P4_FORCE_100	P4_FORCE_FULL
Full duplex	X	X	X
Please set half duplex from MDC/MDIO.			





**2. Setting from MDC/MDIO**

Duplex mode	MII register	Setting value
Full duplex	PHY 4 MII register 0 bit 8	1
Half duplex	PHY 4 MII register 0 bit 8	0



**2.20 MII registers of PHY**

Register	Description	Default	Note
0	Control Register		X5
1	Status Register		X5
2	PHY Identifier 1 Register		X1
3	PHY Identifier 2 Register		X1
4	Auto-Negotiation Advertisement Register		X5
5	Auto-Negotiation Link Partner Ability Register		X5
6	Auto-Negotiation Expansion Registers		X5
16	Special Control Register (LDPS)		X1
18	Special Status Register		X5

X1: 5 ports share the register

X5: Each port has its individual register



Register descriptions

R/W = Read/Write, SC = Self-Clearing, RO = Read Only, LL = Latching Low, LH = Latching High

**MII register 0 of PHY0~4 (Each PHY has its own MII register 0 with different PHY address)**

PHY	MII	ROM	R/W	Description	Default
<b>Control register</b>					
4~0	0.15	--	RW/ SC	Reset The PHY is reset if user write "1" to this bit. The reset period is around 2ms. User has to wait for at least 2ms to access IP175C/IP175CH.	0
4~0	0.14	--	R/W	Loop back 1 = Loop back mode 0 = normal operation When this bit set, IP175C/IP175CH will be isolated from the network media, that is, the assertion of TXEN at the MII will not transmit data on the network. All MII transmission data will be returned to MII receive data path in response to the assertion of TXEN. Bit 0.12 is cleared automatically, if this bit is set. User has to program bit 0.12 again after loop back test.	0
4~0	0.13	--	RW	Speed Selection 1 = 100Mbps 0 = 10Mbps It is valid only if bit 0.12 is set to be 0.	1
4~0	0.12	--	RW	Auto-Negotiation Enable 1 = Auto-Negotiation Enable 0 = Auto-Negotiation Disable	1
4~0	0.11	--	R/W	Power Down 1: power down mode 0: normal operation	0
4~0	0.10	--		Isolate IP175C/IP175CH doesn't support this function.	0
4~0	0.9	--	RW SC	Restart Auto- Negotiation 1 = re-starting Auto-Negotiation 0 = Auto-Negotiation re-start complete Setting this bit to logic high will cause IP175C/IP175CH to restart an Auto-Negotiation cycle, but depending on the value of bit 0.12 (Auto-Negotiation Enable). If bit 0.12 is cleared then this bit has no effect, and it is Read Only. This bit is self-clearing after Auto-Negotiation process is completed.	0
4~0	0.8	--	R/W	Duplex mode 1 = full duplex 0 = half duplex It is valid only if bit 0.12 is set to be 0.	0
4~0	0.7	--	R/W	Collision test	0
4~0	0[6:0]	--	RO	Reserved	0



MII register 1 of PHY0~4 (Each PHY has its own MII register 1 with different PHY address)

PHY	MII	ROM	R/W	Description	Default
<b>Status register</b>					
4~0	1.15	--	RO	100Base-T4 capable 1 = 100Base-T4 capable 0 = not 100Base-T4 capable IP175C/IP175CH does not support 100Base-T4. This bit is fixed to be 0.	0
4~0	1.14	--	RO	100Base-X full duplex Capable 1 = 100Base-X full duplex capable 0 = not 100Base-X full duplex capable	1
4~0	1.13	--	RO	100Base-X half duplex Capable 1 = 100Base-X half duplex capable 0 = not 100Base-X half duplex capable	1
4~0	1.12	--	RO	10Base-T full duplex Capable 1 = 10Base-T full duplex capable 0 = not 10Base-T full duplex capable	1
4~0	1.11	--	RO	10Base-T half duplex Capable 1 = 10Base-T half duplex capable 0 = not 10Base-T half duplex capable	1
4~0	1[10:7]	--	RO	Reserved	0
4~0	1.6	--	RO	MF preamble Suppression 1 = preamble may be suppressed 0 = preamble always required	1
4~0	1.5	--	RO	Auto-Negotiation Complete 1 = Auto-Negotiation complete 0 = Auto-Negotiation in progress When read as logic 1, indicates that the Auto-Negotiation process has been completed, and the contents of register 4 and 5 are valid. When read as logic 0, indicates that the Auto-Negotiation process has not been completed, and the contents of register 4 and 5 are meaningless. If Auto-Negotiation is disabled (bit 0.12 set to logic 0), then this bit will always read as logic 0.	0
4~0	1.4	--	RO LH	Remote fault 1 = remote fault detected 0 = not remote fault detected When read as logic 1, indicates that IP175C/IP175CH has detected a remote fault condition. This bit is set until remote fault condition gone and before reading the contents of the register. This bit is cleared after IP175C/IP175CH reset.	0
4~0	1.3	--	RO	Auto-Negotiation Ability 1 = Auto-Negotiation capable 0 = not Auto-Negotiation capable When read as logic 1, indicates that IP175C/IP175CH has the ability to perform Auto-Negotiation.	1



MII register 1 of PHY0~4 (Each PHY has its own MII register 1 with different PHY address)

PHY	MII	ROM	R/W	Description	Default
<b>Status register</b>					
4~0	1.2	--	RO LL	Link Status 1 = Link Pass 0 = Link Fail When read as logic 1, indicates that IP175C/IP175CH has determined a valid link has been established. When read as logic 0, indicates the link is not valid. This bit is cleared until a valid link has been established and before reading the contents of this registers.	0
4~0	1.1	--		Jabber Detect 1 = jabber condition detected 0 = no jabber condition detected When read as logic 1, indicates that IP175C/IP175CH has detected a jabber condition. This bit is always 0 for 100Mbps operation and is cleared after IP175C/IP175CH reset. When the duration of TXEN exceeds the jabber timer (21ms), the transmission and loop back functions will be disabled and the COL is active. After TXEN goes low for more than 500 ms, the transmitter will be re-enabled.	0
4~0	1.0	--	RO	Extended capability 1 = Extended register capabilities 0 = No extended register capabilities IP175C/IP175CH has extended register capabilities.	1



MII register 2 of PHY0~4 (5 PHYs share the MII register)

PHY	MII	ROM	R/W	Description	Default
<b>PHY Identifier 1 register</b>					
4~0	2	--	RO	IP175C/IP175CH OUI (Organizationally Unique Identifier) ID, the msb is 3 <sup>rd</sup> bit of IP175C/IP175CH OUI ID, and the lsb is 18 <sup>th</sup> bit of IP175C/IP175CH OUI ID. IP175C/IP175CH OUI is 0090C3.	16'h0243

MII register 3 of PHY0~4 (5 PHYs share the MII register)

PHY	MII	ROM	R/W	Description	Default
<b>PHY Identifier 2 register</b>					
4~0	3[15:10]	--	RO	PHY identifier IP175C/IP175CH OUI ID, the msb is 19 <sup>th</sup> bit of IP175C/IP175CH OUI ID, and lsb is 24 <sup>th</sup> bit of IP175C/IP175CH OUI ID.	6'h03
4~0	3[9:4]	--	RO	Manufacture's Model Number IP175C/IP175CH model number	6'h18
4~0	3[3:0]	--	RO	Revision Number IP175C/IP175CH revision number	0



MII register 4 of PHY0~4 (Each PHY has its own MII register 4 with different PHY address)

PHY	MII	ROM	R/W	Description	Default			
<b>Auto-Negotiation Advertisement register</b>								
4~0	4.15	--	RO	Next Page Not supported. This bit is fixed to be 0.	0			
4~0	4.14	--	RO	Reserved by IEEE, write as 0, ignore on read	0			
4~0	4.13	--	R/W	Remote Fault 1: Advertises that this port has detected a remote fault. 0: There is no remote fault.	0			
4~0	4[12:11]	--	RO	Reserved for future IEEE use, write as 0, ignore on read	0			
4~0	4.10	--	RW	Pause 1 = Advertises that this port has implemented pause function 0 = No pause function supported	Set by X_EN			
4~0	4.9	--	RO	100BASE-T4 Not supported	0			
4~0	4.8	--	R/W	100BASE-TX full duplex 1 = 100BASE-TX full duplex is supported 0 = 100BASE-TX full duplex is not supported	* -			
				FORCE		FORCE100	FORCE FULL	Default
				0		Don't care	Don't care	1
				1		0	0	0
				1		0	1	0
				1		1	0	0
4~0	4.7	--	R/W	100BASE-TX 1 = 100BASE-TX is supported 0 = 100BASE-TX is not supported	* -			
				FORCE		FORCE100	FORCE FULL	Default
				0		Don't care	Don't care	1
				1		0	0	0
				1		0	1	0
				1		1	0	1
4~0	4.6	--	R/W	10BASE-T full duplex 1 = 10BASE-T full duplex is supported 0 = 10BASE-T full duplex is not supported	* -			
				FORCE		FORCE100	FORCE FULL	Default
				0		Don't care	Don't care	1
				1		0	0	0
				1		0	1	1
				1		1	0	0
4~0	4.5	--	R/W	10BASE-T 1 = 10BASE-T is supported 0 = 10BASE-T is not supported	<u>1</u>			
4~0	4[4:0]	--	RO	Selector Field Use to identify the type of message being sent by Auto-Negotiation.	5'b00001			



MII register 5 of PHY0~4 (Each PHY has its own MII register 5 with different PHY address)

PHY	MII	ROM	R/W	Description	Default
<b>Auto-Negotiation Link Partner Ability register</b>					
4~0	5.15		RO	Next Page 1 = Next Page ability is supported by link partner 0 = Next Page ability does not supported by link partner	0
4~0	5.14		RO	Acknowledge 1 = Link partner has received the ability data word 0 = Not acknowledge	0
4~0	5.13		RO	Remote Fault 1 = Link partner indicates a remote fault 0 = No remote fault indicate by link partner If this bit is set to logic 1, then bit 1.4 (Remote fault) will set to logic 1.	0
4~0	5[12:11]	--	RO	Reserved by IEEE for future use, write as 0, read as 0.	0
4~0	5.10	--	RW	Pause 1 = Link partner support IEEE802.3x 0 = Link partner does not support IEEE802.3x When Nway enabled, this bit reflects link partner ability. (read only) When Nway disabled, this bit can be set by SMI. (read/write) When in 100FX, this bit is set by X_EN or SMI.	0
4~0	5.9	--	RO	100BASE-T4 1 = Link partner support 100BASE-T4 0 = Link partner does not support 100BASE-T4	0
4~0	5.8	--	RO	100BASE-TX full duplex 1 = Link partner support 100BASE-TX full duplex 0 = Link partner does not support 100BASE-TX full duplex	0
4~0	5.7	--	RO	100BASE-TX 1 = Link partner support 100BASE-TX 0 = Link partner does not support 100BASE-TX For 100FX mode, this bit is set. When Nway is disabled, this bit is set if register 0.13=1.	0
4~0	5.6	--	RO	10BASE-T full duplex 1 = Link partner support 10BASE-T full duplex 0 = Link partner does not support 10BASE-T full duplex	0
4~0	5.5	--	RO	10BASE-T 1 = Link partner support 10BASE-T 0 = Link partner does not support 10BASE-T When Nway is disabled, this bit is set if register 0.13=0	0
4~0	5[4:0]	--	RO	Selector Field Protocol selector of the link partner	5'b0000 00





**MII register 6 of PHY0~4 (Each PHY has its own MII register 6 with different PHY address)**

PHY	MII	ROM	R/W	Description	Default
<b>Auto-Negotiation Expansion register</b>					
4~0	6[15:5]	--	RO	Reserved	0
4~0	6.4	--	RO	1: a fault has been detected via parallel detection function. 0: a fault has not been detected via parallel detection function.	0
4~0	6.3	--	RO	1= Link partner is next page able. 0= Link partner is not next page able.	0
4~0	6.2	--	RO	1: IP175C/IP175CH next page able. 0: IP175C/IP175CH is not next page able. This bit is fixed to be "0" in IP175C/IP175CH	0
4~0	6.1	--	RO/ LH	1: A new page has been received. 0: A new page has not been received.	0
4~0	6.0	--	RO	If Nway is enabled, this bit means: 1: Link partner is Auto-Negotiation able. 0: Link partner is not Auto-Negotiation able. In 100FX or Nway disabled, this bit always =0.	0 (Nway) (100FX)

**MII register 16 of PHY0~4 (5 PHYs share the MII register)**

PHY	MII	ROM	R/W	Description	Default
<b>Special Control register</b>					
4~0	16.7	--	RW	Link down power saving mode 1 = Enable LDPS mode 0 = Disable LDPS mode	1

**MII register 18 of PHY0~4 (Each PHY has its own MII register 18 with different PHY address)**

PHY	MII	ROM	R/W	Description	Default
<b>Special Status register</b>					
4~0	18.11	--	RO	Speed Mode 1 = 100 Mbps 0 = 10 Mbps	1
4~0	18.10	--	RO	Duplex Mode 1 = Full Duplex 0 = Half Duplex	0



2.21 MII registers of Switch controller

PHY	MII	ROM	R/W	Description	Default
29	18.15 18.14	2.1 2.0	R/W	LED_SEL [1:0] LED mode selection. LED_SEL[1:0]=2'b00: LED mode 0, LED_SEL[1:0]=2'b01: LED mode 1, LED_SEL[1:0]=2'b10: LED mode 2, LED_SEL[1:0]=2'b11: LED mode 3 (default)  It is for debug only. User should not update the setting of LED_SEL pins by writing this registers.	Pin92, Pin91
29	18.13	4.7	R/W	X_EN IEEE 802.3x flow control enable This signal is used as pause_en for digital parts. 1: enable (default), 0:disable  Default value TEST2=0 TEST2=1 Pin113 MII2_EN=1 Pin113 MII2_EN=0 1 Pin100 X_EN (1) 1	*
29	18.12	4.4	R/W	BK_EN, Backpressure enable 1: enable (default), 0: disable  Default value TEST2=0 TEST2=1 Pin113 MII2_EN=1 Pin113 MII2_EN=0 1 Pin100 X_EN (1) 1	*
29	18.11	4.2	R/W	BF_STM_EN, Broadcast storm enable 1: enable Drop the incoming packet if the number of queued broadcast packet is over the threshold. The threshold is defined in MII register 30.11[15:14]. 0: disable (default)  Default value TEST2=0 TEST2=1 Pin113=1 Pin113 MII2_EN=0 LAT_IN_DIS=1 LAT_IN_DIS=0 0 Pin102 BF_STM_EN (0) 0 0	*
29	18.10	4.3	R/W	MAC_X_EN, flow control enable of MII0 and MII2 1: enable (default), 0: disable  Default value TEST2=0 TEST2=1 Pin74 P4EXT=1 Pin74 P4EXT =0 1 Pin67 MAC_X_EN (1) 0	*



PHY	MII	ROM	R/W	Description	Default
29	18.5	6.7	R/W	Reserved The default value must be adopted for normal operation.	0
29	18.4	6.5	R/W	HASH_MODE It is latched as Hashing algorithm selection for 1 <sup>st</sup> layer and 2 <sup>nd</sup> layer at the end of reset. 0: direct and CRC (default) 1: direct and CRC	0
29	18.3	6.4	R/W	AGING Aging time of address table selection An address tag in hashing table will be dropped if this function is turned on and its aging timer expires. Aging =bit[4] 0: no aging 1: aging time is around 280 sec (default)	*
				Default value	
				TEST2=0	TEST2=1
				Pin74 P4EXT=1	Pin74 P4EXT=0
				1	Pin65 AGING (1) 1



PHY	MII	ROM	R/W	Description	Default	
29	19.15	14.7	R/W	Port0 VLAN look up table Port5 and port0 are in the same VLAN	*	
				Default value		
				Testmode38, 39		Others
				0		1
19.14	14.6	R/W	Port0 Class of service enable 1: enable, 0: disabled (default) Packets with high priority tag from port0 are handled as high priority packets.	*		
			Default value			
			TEST2=0		TEST2=1	
			P4EXT=1		P4EXT=0	
			0		Pin63 COS_EN (0)	0
19.13	14.5	R/W	Port0 high priority port enable 1: enable, 0: disabled (default) Packets received from port0 are handled as high priority packets.	1'b0		
19[12.8]	14[4:0]	R/W	Port0 VLAN look up table  The register defines the ports in the same VLAN as port0. The bit 0~4 are corresponding to port 0~4. 1: a port is in the same VLAN as port0 0: a port is not in the same VLAN as port0  Bit8, don't care; Bit9=1, port 1 and port0 are in the same VLAN; Bit10=1, port 2 and port0 are in the same VLAN; Bit11=1, port 3 and port0 are in the same VLAN; Bit12=1, port 4 and port0 are in the same VLAN	*		
			Default value			
			Testmode38, 39		Testmode47	Others
			5'b00111		5'b00001	5'b11111



PHY	MII	ROM	R/W	Description	Default	
29	19.7	15.7	R/W	Port1 VLAN look up table Port5 and port1 are in the same VLAN	*	
				Default value		
				Testmode38, 39		Others
				0		1
19.6	15.6	R/W	Port1 Class of service enable 1: enable, 0: disabled (default) Packets with high priority tag from port1 are handled as high priority packets.	*		
			Default value			
			TEST2=0		TEST2=1	
			P4EXT=1		P4EXT=0	
			0		Pin63 COS_EN (0)	0
19.5	15.5	R/W	Port1 high priority port enable 1: enable, 0: disabled (default) Packets received from port1 are handled as high priority packets.	1'b0		
19[4:0]	15[4:0]	R/W	Port1 VLAN look up table  The register defines the ports in the same VLAN as port1. The bit 0~4 are corresponding to port 0~4. 1: a port is in the same VLAN as port1 0: a port is not in the same VLAN as port1  Bit0=1, port 0 and port1 are in the same VLAN; Bit1, don't care; Bit2=1, port 2 and port1 are in the same VLAN; Bit3=1, port 3 and port1 are in the same VLAN; Bit4=1, port 4 and port1 are in the same VLAN	*		
			Default value			
			Testmode38, 39		Testmode47	Others
			5'b01110		5'b00010	5'b11111



PHY	MII	ROM	R/W	Description	Default	
29	20.15	16.7	R/W	Port2 VLAN look up table Port5 and port2 are in the same VLAN	*	
				Default value		
				Testmode38, 39		Others
				0		1
20.14	16.6	R/W	Port2 Class of service enable 1: enable, 0: disabled (default) Packets with high priority tag from port2 are handled as high priority packets.	*		
			Default value			
			TEST2=0		TEST2=1	
			P4EXT=1		P4EXT=0	
			0		Pin63 COS_EN (0) 0	
20.13	16.5	R/W	Port2 high priority port enable 1: enable, 0: disabled (default) Packets received from port2 are handled as high priority packets.	1'b0		
20[12:8]	16[4:0]	R/W	Port2 VLAN look up table  The register defines the ports in the same VLAN as port2. The bit 0~4 are corresponding to port 0~4. 1: a port is in the same VLAN as port2 0: a port is not in the same VLAN as port2  Bit8=1, port 0 and port2 are in the same VLAN; Bit9=1, port 1 and port2 are in the same VLAN; Bit10=1, don't care; Bit11=1, port 3 and port2 are in the same VLAN; Bit12=1, port 4 and port2 are in the same VLAN	*		
			Default value			
			Testmode38, 39		Testmode47	Others
			5'b11100		5'b00100	5'b11111



PHY	MII	ROM	R/W	Description	Default	
29	20.7	17.7	R/W	Port3 VLAN look up table Port5 and port3 are in the same VLAN	1'b1	
	20.6	17.6	R/W	Port3 Class of service enable 1: enable, 0: disabled (default) Packets with high priority tag from port3 are handled as high priority packets.	*	
				Default value		
				TEST2=0		TEST2=1
				P4EXT=1 0		P4EXT=0 Pin63 COS_EN (0) 0
20.5	17.5	R/W	Port3 high priority port enable 1: enable, 0: disabled (default) Packets received from port3 are handled as high priority packets.	1'b0		
20[4:0]	17[4:0]	R/W	Port3 VLAN look up table  The register defines the ports in the same VLAN as port3. The bit 0~5 are corresponding to port 0~5. 1: a port is in the same VLAN as port3 0: a port is not in the same VLAN as port3  Bit0=1, port 0 and port3 are in the same VLAN; Bit1=1, port 1 and port3 are in the same VLAN; Bit2=1, port 2 and port3 are in the same VLAN; Bit3=1, don't care; Bit4=1, port 4 and port3 are in the same VLAN	*		
			Default value			
			Testmode38, 39		Testmode47 Others	
			5'b11000		5'b01000 5'b11111	



PHY	MII	ROM	R/W	Description	Default	
29	21.15	18.7	R/W	Port4 VLAN look up table Port5 and port4 are in the same VLAN	1'b1	
	21.14	18.6	R/W	Port4 Class of service enable 1: enable, 0: disabled (default) Packets with high priority tag from port4 are handled as high priority packets.	*	
				Default value		
				TEST2=0		TEST2=1
				P4EXT=1		P4EXT=0
				0	Pin63 COS_EN (0)	0
	21.13	18.5	R/W	Port4 high priority port enable 1: enable, 0: disabled (default) Packets received from port4 are handled as high priority packets.	*	
				Default value		
				TEST2=0		TEST2=1
				P4EXT=1		P4EXT=0
				0	Pin 64 P4_HIGH (0)	0
	21[12:8]	18[4:0]	R/W	Port4 VLAN look up table  The register defines the ports in the same VLAN as port4. The bit 0~5 are corresponding to port 0~5. 1: a port is in the same VLAN as port4 0: a port is not in the same VLAN as port4  Bit8=1, port 0 and port4 are in the same VLAN; Bit9=1, port 1 and port4 are in the same VLAN; Bit10=1, port 2 and port4 are in the same VLAN; Bit11=1, port 3 and port4 are in the same VLAN; Bit12=1, don't care;	*	
Default value						
Testmode38, 39				Testmode47		Others
			5'b10001	5'b10000	5'b11111	





PHY	MII	ROM	R/W	Description	Default		
29	22.15	19.4	R/W	P4_FORCE Port4 force mode enable 1: enable force mode 0: disable force mode, port4 NWAY with all capability	*		
				Default value			
				P4EXT=1		P4EXT=0	
						Pin 96 MII0_MAC_MOD=1	Pin 96 MII0_MAC_MOD=0
				0		Pin76	Pin85
29	22.14	19.3	R/W	P3_FORCE Port3 force mode enable 1: enable force mode 0: disable force mode, port3 NWAY with all capability	*		
				Default value			
				P4EXT=1		P4EXT=0	
						MII0_MAC_MOD=1	MII0_MAC_MOD=0
				0		Pin77	Pin86
29	22.13	19.2	R/W	P2_FORCE Port2 force mode enable 1: enable force mode 0: disable force mode, port2 NWAY with all capability	*		
				Default value			
				P4EXT=1		P4EXT=0	
						MII0_MAC_MOD=1	MII0_MAC_MOD=0
				0		Pin78 (0)	Pin87 (0)
29	22.12	19.1	R/W	P1_FORCE Port1 force mode enable 1: enable force mode 0: disable force mode, port1 NWAY with all capability	*		
				Default value			
				P4EXT=1		P4EXT=0	
						MII0_MAC_MOD=1	MII0_MAC_MOD=0
				0		Pin79 (0)	Pin88 (0)
29	22.11	19.0	R/W	P0_FORCE Port0 force mode enable 1: enable force mode 0: disable force mode, port0 NWAY with all capability	*		
				Default value			
				P4EXT=1		P4EXT=0	
						Pin 96 MII0_MAC_MOD=1	Pin 96 MII0_MAC_MOD=0
				0		Pin80 (0)	Pin90 (0)



PHY	MII	ROM	R/W	Description	Default		
29	22.10	20.4	R/W	P4_FORCE100 It is valid only if p4_force (22[15]) is set to 1'b1.	*		
				Default value			
				Pin 113 MII2_EN=1		Pin 113 MII2_EN=0	
				0		Pin103 (0)	
P4EXT=0				P4EXT=1			
1: force port4 to be 100M 0: force port4 to be 10M				1: force MII0 (PHY mode) to be 100M 0: force MII0 (PHY mode) to be 10M			
29	22.9	20.3	R/W	P3_FORCE100 Force port3 to be 100M 1: force to be 100M 0: force to be 10M It is valid only if p3_force (22[14]) is set to 1'b1.	*		
				Default			
				MII2_EN=1		Pin 113 MII2_EN=0	
						Pad 98.5 LAT_IN_DIS=1	Pad 98.5 LAT_IN_DIS=0
				0		0	Pin104 (0)
P4EXT=0				P4EXT=1			
1: force port3 to be 100M 0: force port3 to be 10M				1: force MII2 (PHY mode) to be 100M 0: force MII2 (PHY mode) to be 10M			
29	22.8	20.2	R/W	P2_FORCE100 Force port2 to be 100M 1: force to be 100M 0: force to be 10M It is valid only if p2_force (22[13]) is set to 1'b1.	*		
				Default			
				MII2_EN=1		Pin 113 MII2_EN=0	
						LAT_IN_DIS=1	LAT_IN_DIS=0
				0		0	Pin105 (0)
29	22.7	20.1	R/W	P1_FORCE100 Force port1 to be 100M 1: force to be 100M 0: force to be 10M It is valid only if p1_force (22[12]) is set to 1'b1.	*		
				Default			
				Pin 113 MII2_EN=1		Pin 113 MII2_EN=0	
				0		Pin106 (0)	
29	22.6	20.0	R/W	P0_FORCE100 Force port0 to be 100M 1: force to be 100M 0: force to be 10M It is valid only if p0_force (22[11]) is set to 1'b1.	*		
				Default			
				MII2_EN=1		Pin 113 MII2_EN=0	
						LAT_IN_DIS=1	LAT_IN_DIS=0
				0		0	Pin107 (0)



PHY	MII	ROM	R/W	Description	Default		
29	22.5	21.4	R/W	P4_FORCE_FULL It is valid only if p4_force (22.15) is set to 1'b1.	*		
				Default			
				MII2_EN=1		Pin 113 MII2_EN=0	
						Pad 98.5 LAT_IN_DIS=1	Pad 98.5 LAT_IN_DIS=0
				0		0	Pin108 (0)
P4EXT=0				P4EXT=1			
1: force port4 to be full duplex 0: force port4 to be half duplex				1: force MII0 (PHY mode) to be full duplex 0: force MII0 (PHY mode) to be half duplex			
29	22.4	21.3	R/W	P3_FORCE_FULL Force port3 to be full duplex 1: force full duplex 0: force half duplex It is valid only if p4_force (22.14) is set to 1'b1.	*		
				Default			
				MII2_EN=1		Pin 113 MII2_EN=0	
						Pin109 (0)	
				0		0	Pin109 (0)
P4EXT=0				P4EXT=1			
1: force port3 to be full duplex 0: force port3 to be half duplex				1: force MII2 (PHY mode) to be full duplex 0: force MII2 (PHY mode) to be half duplex			
29	22.3	21.2	R/W	P2_FORCE_FULL Force port2 to be full duplex 1: force full duplex 0: force half duplex It is valid only if p4_force (22.13) is set to 1'b1.	*		
				Default			
				MII2_EN=1		Pin 113 MII2_EN=0	
						Pad 98.5 LAT_IN_DIS=1	Pad 98.5 LAT_IN_DIS=0
				0		0	Pin110 (0)
29	22.2	21.1	R/W	P1_FORCE_FULL Force port1 to be full duplex 1: force full duplex 0: force half duplex It is valid only if p4_force (22.12) is set to 1'b1.	*		
				Default			
				MII2_EN=1		Pin 113 MII2_EN=0	
						Pad 98.5 LAT_IN_DIS=1	Pad 98.5 LAT_IN_DIS=0
				0		0	Pin111 (0)
29	22.1	21.0	R/W	P0_FORCE_FULL Force port0 to be full duplex 1: force full duplex 0: force half duplex It is valid only if p4_force (22.11) is set to 1'b1.	*		
				Default			
				MII2_EN=1		Pin 113 MII2_EN=0	
						Pin112 (0)	
				0		0	Pin112 (0)



Tag register 10

PHY	MII	ROM	R/W	Description	Default
29	23[15:11]	22[4:0]	R/W	ADD_TAG. Add VLAN tag Portx adds a VLAN tag defined in vlan_tag_x to each outgoing packet	5'h00
				Bit 11 1: port0 adds a VLAN tag to each outgoing packet. 0: port0 doesn't add a VLAN tag.	
				Bit 12 1: port1 adds a VLAN tag to each outgoing packet. 0: port1 doesn't add a VLAN tag.	
				Bit 13 1: port2 adds a VLAN tag to each outgoing packet. 0: port2 doesn't add a VLAN tag.	
				Bit 14 1: port3 adds a VLAN tag to each outgoing packet. 0: port3 doesn't add a VLAN tag.	
				Bit 15 1: port4 adds a VLAN tag to each outgoing packet. 0: port4 doesn't add a VLAN tag.	



Tag register 11

PHY	MII	ROM	R/W	Description	Default	
29	23[10:6]	23[4:0]	R/W	REMOVE_TAG. Remove VLAN tag	5'h00	
				Bit 6		1: port0 removes the VLAN tag of each outgoing packet. 0: port0 doesn't remove the VLAN tag of each outgoing packet.
				Bit 7		1: port1 removes the VLAN tag of each outgoing packet. 0: port1 doesn't remove the VLAN tag of each outgoing packet.
				Bit 8		1: port2 removes the VLAN tag of each outgoing packet. 0: port2 doesn't remove the VLAN tag of each outgoing packet.
				Bit 9		1: port3 removes the VLAN tag of each outgoing packet. 0: port3 doesn't remove the VLAN tag of each outgoing packet.
				Bit 10		1: port4 removes the VLAN tag of each outgoing packet. 0: port4 doesn't remove the VLAN tag of each outgoing packet.
				Default value		
				Others		Testmode37
				5'b00000		5'b11111
				23.1		22.5
Default value						
Others	Testmode37					
0	1					
23.0	23.5	R/W	REMOVE_TAG. Remove VLAN tag 1: Port5 removes the VLAN tag of each outgoing packet. 0: port5 doesn't remove the VLAN tag of each outgoing packet.	1'b0		



Tag register 1~9

PHY	MII	ROM	R/W	Description	Default
29	24	25[7:0] 24[7:0]	R/W	VLAN_TAG_0. Port0 default VLAN tag value This register defines the VLAN tag added to an un-tagged packet from port 0.	16'h0001
29	25	27[7:0] 26[7:0]	R/W	VLAN_TAG_1. Port1 default VLAN tag value This register defines the VLAN tag added to an un-tagged packet from port 1.	16'h0001
29	26	29[7:0] 28[7:0]		VLAN_TAG_2. Port2 default VLAN tag value This register defines the VLAN tag added to an un-tagged packet from port 2.	16'h0001
29	27	31[7:0] 30[7:0]	R/W	VLAN_TAG_3. Port3 default VLAN tag value This register defines the VLAN tag added to an un-tagged packet from port 3.	16'h0001
29	28	33[7:0] 32[7:0]	R/W	VLAN_TAG_4. Port4 default VALN tag value This register defines the VLAN tag added to an un-tagged packet from port 4.	16'h0002



PHY	MII	ROM	R/W	Description	Default
29	29[15:8]	36[7:0]	R/W	REG29SW- reserved	8'h01
29	29[7:0]	35[7:0]	R/W	REG29SW- reserved	8'h00

PHY	MII	ROM	R/W	Description	Default
29	30	38[7:0] 37[7:0]	R/W	VLAN_TAG_5. Port5 default VALN tag value This register defines the VLAN tag of an un-tagged packet from port 5.	16'h0002

#### IP175C/IP175CH enable register

PHY	MII	ROM	R/W	Description	Default
29	31	--	R/W	IP175C/IP175CH register enable register  IP175C/IP175CH MII register don't support IP175A compatible mode. If the value of this register is 16'h175A, please fill this register with 16'h175C.  Note1: The default value is 16'h175A if p4ext is 1, MII1_dis is, 0 and mii1_phy_mod is 1; otherwise the default value is 16'h175C.	Note1



PHY	MII	ROM	R/W	Description	Default
30	0	--	R/W	Software reset register IP175C/IP175CH is reset if uses write "175C" to this register. It is self-cleared. The reset period is around 2ms. User has to wait for at least 2ms to access IP175C/IP175CH. MII registers PHY 29.0 ~ 31, PHY 30.0 ~ 31 & PHY 31.0 ~ 31 are not reset by software reset.	16'h00





Tag VLAN register 2

PHY	MII	ROM	R/W	Description	Default
30	1[5:0]	39[5:0]	R/W	<p>TAG_VLAN_MASK_0[5:0]. Tag VLAN 0 output port mask</p> <p>The mask is valid only if MII register 9.7 TAG_VLAN_EN is logic high and VID index is 4'b0000.</p> <p>When IP175C/IP175CH receives a packet, it examines the VID index to choose a tag VLAN mask and forwards the packets according MAC address table and the mask.</p>	6'h3f
				Bit0 1: port 0 belongs to VLAN 0 0: port 0 doesn't belong to VLAN 0	
				Bit1 1: port 1 belongs to VLAN 0 0: port 1 doesn't belong to VLAN 0	
				Bit2 1: port 2 belongs to VLAN 0 0: port 2 doesn't belong to VLAN 0	
				Bit3 1: port 3 belongs to VLAN 0 0: port 3 doesn't belong to VLAN 0	
				Bit4 1: port 4 belongs to VLAN 0 0: port 4 doesn't belong to VLAN 0	
				Bit5 1: port 5 belongs to VLAN 0 0: port 5 doesn't belong to VLAN 0	



Tag VLAN register 3~17

PHY	MII	ROM	R/W	Description	Default
30	1[13:8]	40[5:0]	R/W	TAG_VLAN_MASK_1[5:0]. Tag VLAN 1 output port mask	6'h2f
	2[13:8]	42[5:0]	R/W	TAG_VLAN_MASK_3[5:0]. Tag VLAN 3 output port mask	6'h3f
	2[5:0]	41[5:0]	R/W	TAG_VLAN_MASK_2[5:0]. Tag VLAN 2 output port mask	6'h30
	3[13:8]	44[5:0]	R/W	TAG_VLAN_MASK_5[5:0]. Tag VLAN 5 output port mask	6'h3f
	3[5:0]	43[5:0]	R/W	TAG_VLAN_MASK_4[5:0]. Tag VLAN 4 output port mask	6'h3f
	4[13:8]	46[5:0]	R/W	TAG_VLAN_MASK_7[5:0]. Tag VLAN 7 output port mask	6'h3f
	4[5:0]	45[5:0]	R/W	TAG_VLAN_MASK_6[5:0]. Tag VLAN 6 output port mask	6'h3f
	5[13:8]	48[5:0]	R/W	TAG_VLAN_MASK_9[5:0]. Tag VLAN 9 output port mask	6'h3f
	5[5:0]	47[5:0]	R/W	TAG_VLAN_MASK_8[5:0]. Tag VLAN 8 output port mask	6'h3f
	6[13:8]	50[5:0]	R/W	TAG_VLAN_MASK_B[5:0]. Tag VLAN b output port mask	6'h3f
	6[5:0]	49[5:0]	R/W	TAG_VLAN_MASK_A[5:0]. Tag VLAN a output port mask	6'h3f
	7[13:8]	52[5:0]	R/W	TAG_VLAN_MASK_D[5:0]. Tag VLAN d output port mask	6'h3f
	7[5:0]	51[5:0]	R/W	TAG_VLAN_MASK_C[5:0]. Tag VLAN c output port mask	6'h3f
	8[13:8]	54[5:0]	R/W	TAG_VLAN_MASK_F[5:0]. Tag VLAN f output port mask	6'h3f
	8[5:0]	53[5:0]	R/W	TAG_VLAN_MASK_E[5:0]. Tag VLAN e output port mask	6'h3f



Router control register 1

PHY	MII	ROM	R/W	Description	Default	
30	9[12:8]	56[4:0]	R/W	WAN_PORTS[4:0]. WAN ports for router application	5'h10	
				It is valid only if router_en is enabled.		
				Bit0		1: port 0 is a WAN port 0: port 0 is not a WAN port
				Bit1		1: port 1 is a WAN port 0: port 1 is not a WAN port
				Bit2		1: port 2 is a WAN port 0: port 2 is not a WAN port
				Bit3		1: port 3 is a WAN port 0: port 3 is not a WAN port
				Bit4	1: port 4 is a WAN port 0: port 4 is not a WAN port	
30	9.7	55.7	R/W	TAG_VLAN_EN. Enable tag VLAN function 1: enable tag VLAN function 0: disable tag VLAN function	*	
				Default value		
				Others		Testmode37
				0		1
	9[6:4]	55[6:4]	R/W	VID_IDX_SEL. VID index selection Select 4 bits out of 12 bits VID as index of tag VLAN groups. The 12 bits of VID can't be all zeros; otherwise, it will be handled as an un-tagged frame.	3'b000	
				000: VID[3:0], 001: VID[4:1], 010: VID[5:2], 011: VID[6:3], 100: VID[7:4], 101: VID[8:5], 110: VID[9:6], 111: VID[10:7]		
				An example of vid_idx_sel = 3'b000,		
				VLAN_0		VID[3:0] = 4'b0000
				VLAN_1		VID[3:0] = 4'b0001
				VLAN_2		VID[3:0] = 4'b0010
				VLAN_3		VID[3:0] = 4'b0011
				....		....
				VLAN_e		VID[3:0] = 4'b1110
				VLAN_f		VID[3:0] = 4'b1111
30	9.3	55.3	R/W	ROUTER_EN. Enable router function at MII port 1: SMART MAC enabled. 0: SMART MAC disabled.	*	
				Default value		
				Others		Testmode37
				0		1



PHY	MII	ROM	R/W	Description	Default
30	9[2:0]	55[2:0]	R/W	LAN_GROUPS[2:0].  Number of VLAN groups of LAN ports in a router application  It defines the VLANs used by LAN ports. Each VLAN should contain MII port.  It is valid only if router_en is enabled.  000: unsupported value 001: 1 VLAN group, (VLAN 1) 010: 2 VLAN groups, (VLAN 1~VLAN 2) 011: 3 VLAN groups, (VLAN 1~VLAN 3) 100: 4 VLAN groups, (VLAN 1~VLAN 4) 101: 5 VLAN groups, (VLAN 1~VLAN 5) 110: 6 VLAN groups, (VLAN 1~VLAN 6) 111: 7 VLAN groups, (VLAN 1~VLAN 7)	3'b001



Router control register 2

PHY	MII	ROM	R/W	Description	Default
30	10[5:0]	57[5:0]	R/W	PORT_LOCK_EN[5:0]. Lock port MAC address 1: enable 0: disable  User has to reset IP175C/IP175CH by writing 16'h175C to MII register 30.0 software reset register after enabling this function.	6'b0
				Bit0 1: port lock enabled in port 0 0: port lock disabled in port 0	
				Bit1 1: port lock enabled in port 1 0: port lock disabled in port 1	
				Bit2 1: port lock enabled in port 2 0: port lock disabled in port 2	
				Bit3 1: port lock enabled in port 3 0: port lock disabled in port 3	
				Bit4 1: port lock enabled in port 4 0: port lock disabled in port 4	
				Bit5 1: port lock enabled in MII port 0: port lock disabled in MII port	



Switch control register 3

PHY	MII	ROM	R/W	Description	Default
30	11[15:14]	59[7:6]	R/W	BF_STM_THR_SEL[1:0]. Broadcast storm threshold selection 00: 159 packets/10ms for 100Mbps port, or 159 packets/100ms for 10Mbps port, 01: 127 packets/10ms for 100Mbps port, or 127 packets/100ms for 10Mbps port, 10: 63 packets/10ms for 100Mbps port, or 63 packets/100ms for 10Mbps port, 11: 31 packets/10ms for 100Mbps port, or 31 packets/100ms for 10Mbps port,	2'b00
	11[13:12]	59[5:4]	R/W	The default value should be adopted for normal operation.	2'b00
	11[11:10]	59[3:2]	R/W	The default value should be adopted for normal operation.	2'b00
	11[9:8]	59[1:0]	R/W	UNIT_LOW_THR_SEL[1:0] The default value should be adopted for normal operation.	2'b00
	11[7:6]	58[7:6]	R/W	UNIT_HIGH_THR_SEL[1;0]. The default value should be adopted for normal operation.	2'b00
	11.5	58.5	R/W	BF_STM_EN_QM The default value should be adopted for normal operation.	1'b0
	11.4	58.4	R/W	PREDROP_EN 1: Drop an incoming broadcast packet if any port is congested. 0: forward an incoming broadcast packet to un-congested ports instead of congested ports.	1'b0
	11[3:2]	58[3:2]	R/W	PKT_LOW_THR_SEL[1:0]. The default value should be adopted for normal operation.	2'b00
	11[1:0]	58[1:0]	R/W	PKT_HIGH_THR_SEL[1:0]. The default value should be adopted for normal operation.	2'b00



PHY	MII	ROM	R/W	Description	Default	
30	12.8	4.6	R/W	BW_EN_QM Limitation for output queue quantity when TX Bandwidth control enable 1: enable (default), limit the output queue quantity 2: disable, unlimit the output queue quantity	1'b1	
	12.7	60.7	R/W	LINK_Q_EN, LINK quality enable 1: enable (default), 0: disable	*	
				Default value		
				TEST2=0		TEST2=1
				Pad 98.5 LAT_IN_DIS=1		Pad 98.5 LAT_IN_DIS=0
				1	Pin101 (1)	1
	12.5	60.5	R/W	LONG_PACKET Max forwarded packet length 1: 1552 bytes 0: 1536 bytes (default)	*	
Default value						
P4EXT=1				P4EXT=0		
			0	Pin66 LONG_PKT (0)		
12.4	60.4	R/W	PRIORITY_RATE 1: 8 packets 0: 4 packets Output Queue Scheduling: high priority packet rate	1'b0		
12.1	60.1	R/W	Reserved (Must to be keep at 1'b1)	1'b1		
12.0	60.0	R/W	HP_DIS_FLOW_EN High priority packet to disable flow control 1: a port will disable its flow control function for 2 sec if it receives a high priority packet. 0: the function is disabled	1'b0		



PHY	MII	ROM	R/W	Description		Default
30	13[3:0]	96[3:0]	R/W	RESERVED_ADD_FORWARD[3:0]		*
				BIT3	Reserved MAC address (0180C2000010-0180C20000FF) 1: forward (default), 0: discard.	
				BIT2	Reserved MAC address (0180C2000002- 0180C200000F) 1: forward (default), 0: discard. The default value is the inverted value of pin 69 FILTER_RSV_DA.	
				BIT1	Reserved MAC address (0180C2000001) 1: forward, 0: discard (default)	
				BIT0	Reserved MAC address (0180C2000000) 1: forward (default), 0: discard	
				Default value		
				P4EXT=1	P4EXT=0	
				1101	{1, inv of pin69 FILTER_RSV_DA(0), 0, 1}	





Spanning tree register

PHY	MII	ROM	R/W	Description	Default	
30	16.15	--	RO	Fast mode for simulation, 1: Fast mode, 0: normal mode	*	
				Default value		
				TEST2=0		TEST2=1
				0		Pin 66 FASTMODE (0)
16.12	66.4	R/W	Learning enable 1: enable address learning capability of port 4 0: disable address learning capability of port 4	1		
16.11	66.3	R/W	Learning enable 1: enable address learning capability of port 3 0: disable address learning capability of port 3	1		
16.10	66.2	R/W	Learning enable 1: enable address learning capability of port 2 0: disable address learning capability of port 2	1		
16.9	66.1	R/W	Learning enable 1: enable address learning capability of port 1 0: disable address learning capability of port 1	1		
16.8	66.0	R/W	Learning enable 1: enable address learning capability of port 0 0: disable address learning capability of port 0	1		
16.7	65.7	R/W	Stag_en special tagging function enable If this function is enabled, IP175C/IP175CH inserts source port information in tag header. 1: enable special tagging function 0: disable special tagging function	0		
16.4	65.4	R/W	Forward enable 1: enable receiving function of port 4 0: disable receiving function of port 4	1		
16.3	65.3	R/W	Forward enable 1: enable receiving function of port 3 0: disable receiving function of port 3	1		
16.2	65.2	R/W	Forward enable 1: enable receiving function of port 2 0: disable receiving function of port 2	1		
16.1	65.1	R/W	Forward enable 1: enable receiving function of port 1 0: disable receiving function of port 1	1		
16.0	65.0	R/W	Forward enable 1: enable receiving function of port 0 0: disable receiving function of port 0	1		



PHY	MII	ROM	R/W	Description	Default
30	17[14:13]	11[5:4]	R/W	Drive Pad driving capability selection 00: 4mA 01: 8mA 10: 12mA 11: 16mA	2'b0
	17.12				
	17.11	10.5	R/W	DIGITAL_SPEED_UP	*
				Default value	
				TEST2=0	TEST2=1
	0	Pin79 DIGITAL_SPEED_UP(0)			
	17.10	10.4	R/W	DIGITAL_LPBK	*
				Default value	
				TEST2=0	TEST2=1
	0	Pin 84 DIGITAL_LPBK (0)			
17.9	10.1	R/W	BYSCR_MODE	*	
			Default value		
			TEST2=0	TEST2=1	
0	Pin 109 BPSCR (0)				
17.8	11.3	R/W	F_LINK_100	*	
			Default value		
			TEST2=0	TEST2=1	
0	Pin 63 F_LINK_100N (0)				
17.7	11.2	R/W	F_LINK_10	*	
			Default value		
			TEST2=0	TEST2=1	
0	Pin 59 F_LINK_10 (0)				
17.6	11.1	R/W	SPEED_UP_10	*	
			Default value		
			TEST2=0	TEST2=1	
0	Pin 80 SPEED_UP_10 (0)				
17[5:0]	12[5:0]	R/W	TMOD_SEL	*	
			Default value		
			TEST2=0	TEST2=1	
6'b000000	{pin64(0), pin65(0), pin67(0), pin100(0), pin101(0), pin102(0)}				





PHY	MII	ROM	R/W	Description	Default
30	20	68 67	R/W	static_mac_0[15:0]	16'h0000
30	21	70 69	R/W	static_mac_0[31:16]	16'hc200
30	22	72 71	R/W	static_mac_0[47:32]	16'h0180
30	23	74 73	R/W	static_mac_1[15:0]	16'h0000
30	24	76 75	R/W	static_mac_1[31:16]	16'h0000
30	25	78 77	R/W	static_mac_1[47:32]	16'h0000



PHY	MII	ROM	R/W	Description	Default
30	26.15	80.7	R/W	static_override_1 1: override the transmission, receiving and learning setting in MII register 30.16. 0: not override	0
30	26.14	80.6	R/W	static_valid_1 1: the entry is valid 0: the entry is not valid	0
30	26[13:8]	80[5:0]	R/W	static_port_mask_1 Bit [13]: forward to port 5 (MII0) Bit [12]: forward to port 4 Bit [11]: forward to port 3 Bit [10]: forward to port 2 Bit [9]: forward to port 1 Bit [8]: forward to port 0	6'b100000
30	26.7	79.7	R/W	static_override_0 1: override the transmission, receiving and Learning setting in MII register 30.16. 0: not override	1
30	26.6	79.6	R/W	static_valid_0 1: the entry is valid 0: the entry is not valid	0
30	26[5:0]	79[5:0]	R/W	static_port_mask_0 Bit [5]: forward to port 5 (MII0) Bit [4]: forward to port 4 Bit [3]: forward to port 3 Bit [2]: forward to port 2 Bit [1]: forward to port 1 Bit [0]: forward to port 0	6'b100000



PHY	MII	ROM	R/W	Description	Default
30	27.8	5.0	R/W	MBSTM DISABLE Multicast broadcast storm protection disable 1: "Broadcast storm protection" does not include multicast packets. IP175C/IP175CH drops the packets with DA = FFFFFFFF only when the broadcast threshold is reached (default), 0: "Broadcast storm protection" includes multicast packets. IP175C/IP175CH drops the packets with DA = FFFFFFFF, or multi-cast address when the broadcast threshold is reached.  "Broadcast storm protection" does not drop packets due to not learned address.	1
30	27.0	81.0	R/W	DIFFSEV_EN 1: DiffServ is enabled, 0: Diffserv is disabled (default)	0
30	28	83, 82	R/W	DSCP[15:0] Lookup table for DiffServ	0
30	29	85, 84	R/W	DSCP[31:16] Lookup table for DiffServ	0
30	30	87, 86	R/W	DSCP[47:32] Lookup table for DiffServ	0
30	31	89, 88	R/W	DSCP[63:48] Lookup table for DiffServ	0



PHY	MII	ROM	R/W	Description					Default
31	2[14:12]	95[6:4]	R/W	BW_CONTROL_P5_TX[2:0]					000
				[2:0]	BW, bps	64-byte ,bytes	1518-byte ,bytes	random length ,bytes	
				000	Full rate	Full rate	Full rate	Full rate	
				001	128 Kbps	13,459	79,806	48,769	
				010	256 Kbps	30,281	79,807	52,955	
				011	512 Kbps	57,201	79,803	87,182	
				100	1 Mbps	111,051	159,606	148,281	
				101	2 Mbps	225,400	319,249	273,923	
				110	4 Mbps	447,478	558,556	508,248	
				111	8 Mbps	898,330	1,037,449	1,009,446	
31	2[10:8]	95[2:0]	R/W	BW_CONTROL_P5_RX[2:0]					000
				[2:0]	BW, bps	64-byte ,bytes	1518-byte ,bytes	random length ,bytes	
				000	Full rate	Full rate	Full rate	Full rate	
				001	128Kbps	20,187	159,622	92,156	
				010	256Kbps	37,009	159,621	100,183	
				011	512Kbps	63,994	159,610	131,723	
				100	1 Mbps	117,431	239,414	192,672	
				101	2 Mbps	231,780	399,013	314,536	
				110	4 Mbps	454,295	638,412	561,996	
				111	8 Mbps	905,064	1,117,149	1,062,681	
31	2[6:4]	94[6:4]	R/W	BW_CONTROL_P4_TX[2:0]					000
31	2[2:0]	94[2:0]	R/W	BW_CONTROL_P4_RX[2:0]					000
31	1[14:12]	93[6:4]	R/W	BW_CONTROL_P3_TX[2:0]					000
31	1[10:8]	93[2:0]	R/W	BW_CONTROL_P3_RX[2:0]					000
31	1[6:4]	92[6:4]	R/W	BW_CONTROL_P2_TX[2:0]					000
31	1[2:0]	92[2:0]	R/W	BW_CONTROL_P2_RX[2:0]					000
31	0[14:12]	91[6:4]	R/W	BW_CONTROL_P1_TX[2:0]					000
31	0[10:8]	91[2:0]	R/W	BW_CONTROL_P1_RX[2:0]					000
31	0[6:4]	90[6:4]	R/W	BW_CONTROL_P0_TX[2:0]					000
31	0[2:0]	90[2:0]	R/W	BW_CONTROL_P0_RX[2:0]					000



MII0 MAC mode register

PHY	MII	ROM	R/W	Description	Default
31	3.15	--	RO	Flow control capability of the link partner of external PHY on MII0 1: link partner supports flow control, 0: link partner does not support flow control	1
31	3.14	--	RO	Mac_force[0] 1: MII0's speed and duplex are forced because IP175C/IP175CH finds external PHY doesn't support SMI 0: MII0 polls external PHY through SMI to decide its speed and duplex.	
31	3.13	--	RO	MII0_link 1: link ok, 0: un-link	
31	3[12:8]	98[4:0]	R/W	Capability of external PHY on MII0 bit12: flow control ability, bit11: 100M full duplex, bit10 : 100M half duplex, bit9 : 10M full duplex, bit8: 10M half duplex	11111
31	3.7	--	RO	Speed of external PHY on MII0 1: 10M, 0: 100M	0
31	3.6	--	RO	Duplex of external PHY on MII0 1: full duplex, 0: half duplex	0
31	3.5	--	RO	Link status of external PHY on MII0 1: link on, 0: link off	0
31	3[4:0]	97[4:0]	R/W	MII0_mac_phy_addr	00000





**MII1 MAC mode or MII2 MAC mode register (Only one is active at the same time.)**

PHY	MII	ROM	R/W	Description	Default
31	4.15	--	RO	Flow control capability of the link partner of external PHY on MII1 MAC or MII2 MAC 1: link partner supports flow control, 0: link partner does not support flow control	1
31	4.14	--	RO	Mac_force[1] 1: MII1orMII2's speed and duplex are forced because IP175C/IP175CH finds external PHY doesn't support SMI 0: MII1orMII2 polls external PHY through SMI to decide its speed and duplex.	
31	4.13	--	RO	MII1orMII2_link 1: link ok, 0: un-link	
31	4[12:8]	100[4:0]	R/W	Capability of external PHY on MII1 MAC or MII2 MAC bit12: flow control ability, bit11: 100M full duplex, bit10 : 100M half duplex, bit9 : 10M full duplex, bit8: 10M half duplex	11111
31	4.7	--	RO	Speed of external PHY on MII1 MAC or MII2 MAC 1: 10M, 0: 100M	0
31	4.6	--	RO	Duplex of external PHY on MII1 MAC or MII2 MAC 1: full duplex, 0: half duplex	0
31	4.5	--	RO	Link status of external PHY on MII1 MAC or MII2 MAC 1: link on, 0: link off	0
31	4[4:0]	99[4:0]	R/W	MII1orMII2_mac_phy_addr	00001



MII1, MII1 and MII2 control register

PHY	MII	ROM	R/W	Description	Default
31	5.15	7.0	R/W	P4EXT 1: enable 0: disable (default)	Pin74
31	5.14	--	RO	SMI0_polling 1: MII0 MAC mode, 0: MII0 PHY mode	
31	5.13	--	RO	SMI1_polling 1: MII1 MAC mode, 0: MII1 PHY mode	
31	5.12	7.4	R/W	MII1_PHY_MOD 1: MII1 is connected to PHY4.0: MII1 is connected to MAC4.	Pin54(1)
31	5.11	60.2	R/W	MII0_mac_mode_en External MII0 port MAC mode 1: MII0 works as a MAC and should be connected to an external PHY. 0: MII0 works as a PHY and should be connected to an external MAC device (default). This bit does not affect MII1 port.	*
				Default value	
		MII2_EN=1	MII2_EN=0		
		0	Pin96 MII0_MAC_MODE (0)		
31	5.10	60.3	R/W	MII0_RMII_EN 1: MII0 RMII interface enabled 0: MII0 RMII interface disabled (default).	Pin(0)
				Default value	
		P4EXT=1 & RMII_EN=1	Others		
		1	0		
31	5.9	3.5	R/W	MII2_RMII_EN 1: MII2 RMII interface enabled 0: MII2 RMII interface disabled (default).	*
				Default value	
		P4EXT=1 & RMII_EN=1 & MII2_EN=1	Others		
		1	0		
31	5.8	3.4	R/W	MII1_RMII_EN 1: MII1 RMII interface enabled 0: MII1 RMII interface disabled (default).	*
				Default value	
		P4EXT=1 & RMII_EN=1 & MII1_DIS=0	Others		
		1	0		
31	5.7	3.3	R/W	MII1OR2_MAC_REPEATER 1: external PHY 's TXEN does not loop back to CRS (default) 0: external PHY 's TXEN loop back to CRS	1
31	5.6	3.2	R/W	MII0_MAC_REPEATER 1: external PHY 's TXEN does not loop back to CRS (default) 0: external PHY 's TXEN loop back to CRS	1



IP175C/IP175C LF/IP175CH/IP175CH LF  
Data Sheet

PHY	MII	ROM	R/W	Description	Default
31	5.5	3.1	R/W	MII2_PHY_COL_DELAY 0: no delay, 1: collision delay 24 clocks (default) It is valid only if MII2 is enabled and it works at PHY mode.	1
31	5.4	3.0	R/W	MII0_PHY_COL_DELAY 0: no delay, 1: collision delay 24 clocks (default) It is valid only if MII0 is enabled and it works at PHY mode.	1
31	5.2	2.4	R/W	MII2_EN 1: enable, 0: disable (default)	Pin113(0)
31	5.1	2.3	R/W	SERIAL_LED_MODE 1: supports link LED only 0: supports link, speed, and duplex LED (default)	0
31	5.0	2.2	R/W	MII2_MAC_MOD 1: MII2 works in MAC mode 0: MII2 works in PHY mode (default)	Pin111(0)



PHY	MII	ROM	R/W	Description	Default	
31	6[15]	--	RO	MII1 flow control ability 1: enable, 0: disable		
31	6[14]	--	RO	MII0 flow control ability 1: enable, 0: disable		
31	6.1	9.1	R/W	MDIX_FORCE 1: enable (default), 0: disable	1	
31	6.0	9.0	R/W	EN_AUTOMDIX 1: enable auto mdi/mdix function (default), It is valid only if MII 31.6.1 mdix_force is equal to 1 or Nway is enabled. 0: disable auto mdi/mdix function	*	
				Default value		
				TEST2=0		TEST2=1
				1		Pin57 MDI_MDIX (0)



### 3 Crystal Specifications

Item	Parameter	Range
1	Nominal Frequency	25.000 MHz
2	Oscillation Mode	Fundamental Mode
3	Frequency Tolerance at 25°C	+/- 50 ppm
4	Temperature Characteristics	+/- 50 ppm
5	Operating Temperature Range	-10°C ~ +70°C
6	Equivalent Series Resistance	40 ohm Max.
7	Drive Level	100 $\mu$ W
8	Load Capacitance	20 pF
9	Shunt Capacitance	7 pF Max
10	Insulation Resistance	Mega ohm Min./DC 100V
11	Aging Rate A Year	+/- 5 ppm/year



## 4 Electrical Characteristics

### 4.1 Absolute Maximum Rating

Stresses exceed those values listed under Absolute Maximum Ratings may cause permanent damage to the device. Functional performance and device reliability are not guaranteed under these conditions. All voltages are specified with respect to GND.

Supply Voltage	-0.3V to 4.0V
Input Voltage	-0.3V to 5.0V
Output Voltage	-0.3V to 5.0V
Storage Temperature	-65°C to 150°C
Ambient Operating Temperature (Ta)	0°C to 70°C

### 4.2 DC Characteristic

#### Operating Conditions

Parameter	Sym.	Min.	Typ.	Max.	Unit	Conditions
Supply Voltage	VCC	1.70	1.80	2.00	V	
Supply Voltage	VCC_O	3.135	3.3	3.465	V	
Regout Voltage	REG_OUT	1.70	1.80	2.00	V	All ports link at 10Mbps mode
Power Consumption			1		W	VCC=1.8v

#### Input Clock

Parameter	Sym.	Min.	Typ.	Max.	Unit	Conditions
Frequency			25		MHz	
Frequency Tolerance		-50		+50	PPM	

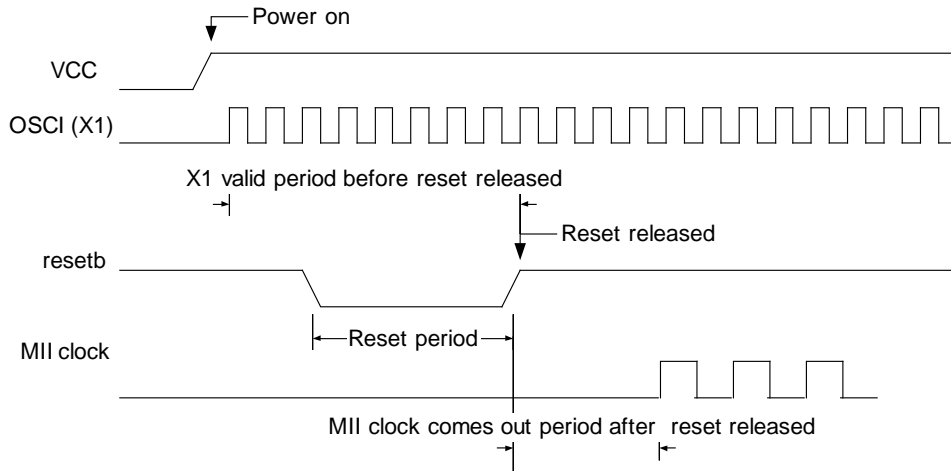
#### I/O Electrical Characteristics

Parameter	Sym	Min.	Max.	Unit	Conditions
Input Low Voltage -LED PAD direct mode -LED PAD bicolor mode -NOT LED PAD	VIL		0.54*VCC_O 0.42*VCC_O 0.4*VCC_O	V	
Input High Voltage -LED PAD direct mode -LED PAD bicolor mode -NOT LED PAD	VIH	0.7*VCC_O 0.58*VCC_O 0.62*VCC_O		V	
X1 Input Low Voltage	VIL		0.89	V	
X1 Input High Voltage	VIH	0.95		V	
Output Low Voltage	VOL		0.4	V	IOH=4mA, VCC_O_x=3.3V
Output High Voltage	VOH	2.4		V	IOL=4mA, VCC_O_x=3.3V
FXSD4 Input Low Voltage	VIL		0.3	V	
FXSD4 Input High Voltage	VIH	1		V	

### 4.3 AC Timing

#### 4.3.1 Reset Timing

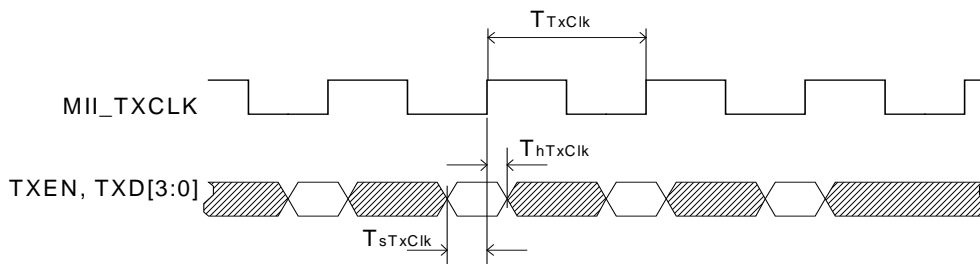
Description	Min.	Typ.	Max.	Unit
X1 valid period before reset released	10	-	-	ms
Reset period	10	-	-	ms
MII clock comes out period after reset released	-	1	-	μs



#### 4.3.2 PHY Mode MII Timing

##### a. Transmit Timing Requirements

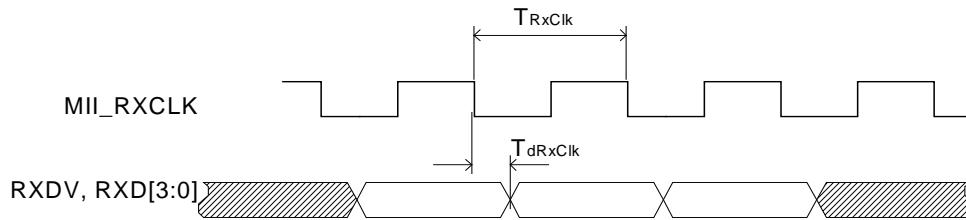
Symbol	Description	Min.	Typ.	Max.	Unit
$T_{TxClk}$	Transmit clock period 100M MII	-	40	-	ns
$T_{TxClk}$	Transmit clock period 10M MII	-	400	-	ns
$T_{sTxClk}$	TXEN, TXD to MII_TXCLK setup time	2	-	-	ns
$T_{hTxClk}$	TXEN, TXD to MII_TXCLK hold time	0.5	-	-	ns





**b. Receive Timing**

Symbol	Description	Min.	Typ.	Max.	Unit
$T_{RxClk}$	Receive clock period 100M MII	-	40	-	ns
$T_{RxClk}$	Receive clock period 10M MII	-	400	-	ns
$T_{dRxClk}$	MII_RXCLK falling edge to RXDV, RXD	1	-	4	ns

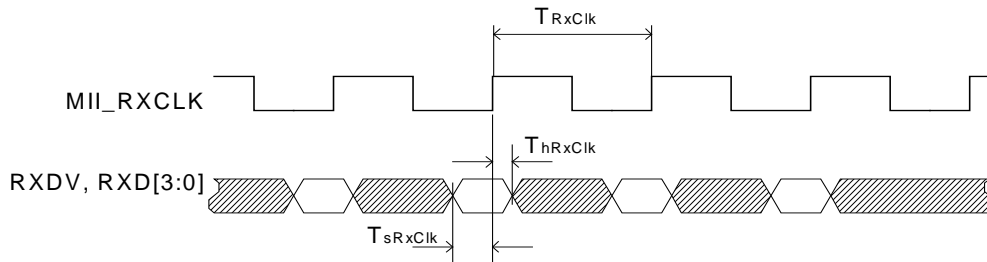




### 4.3.3 MAC Mode MII Timing

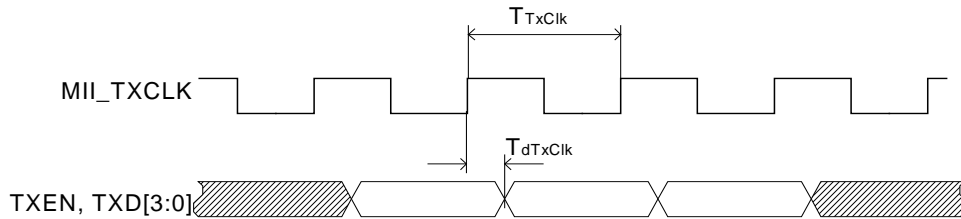
#### a. Receive Timing Requirements

Symbol	Description	Min.	Typ.	Max.	Unit
$T_{RxClk}$	Receive clock period 100M MII	-	40	-	ns
$T_{RxClk}$	Receive clock period 10M MII	-	400	-	ns
$T_{sRxClk}$	RXDV, RXD to MII_RXCLK setup time	2	-	-	ns
$T_{hRxClk}$	RXDV, RXD to MII_RXCLK hold time	0.5	-	-	ns



#### b. Transmit Timing

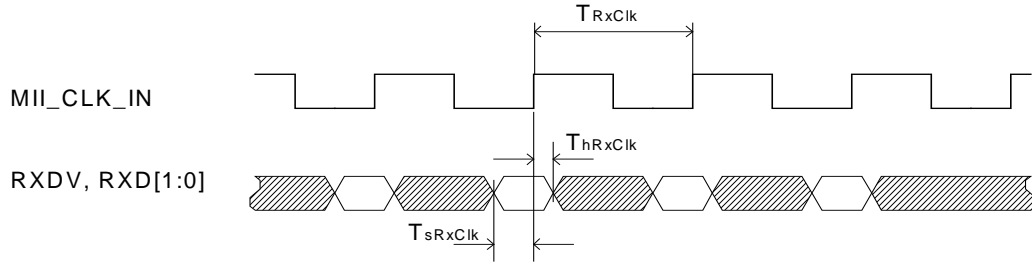
Symbol	Description	Min.	Typ.	Max.	Unit
$T_{TxClk}$	Transmit clock period 100M MII	-	40	-	ns
$T_{TxClk}$	Transmit clock period 10M MII	-	400	-	ns
$T_{dTxCik}$	MII_TXCLK rising edge to TXEN, TXD	1	-	4	ns



4.3.4 RMIITiming

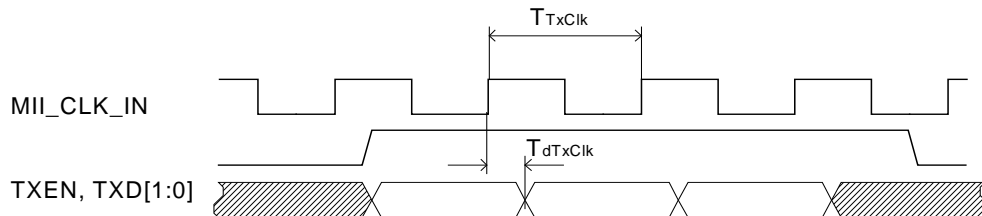
a. Receive Timing Requirements

Symbol	Description	Min.	Typ.	Max.	Unit
$T_{RxClk}$	Receive clock period	-	20	-	ns
$T_{sRxClk}$	RXDV, RXD to MII_CLK_IN setup time	2	-	-	ns
$T_{hRxClk}$	RXDV, RXD to MII_CLK_IN hold time	0.5	-	-	ns



b. Transmit Timing

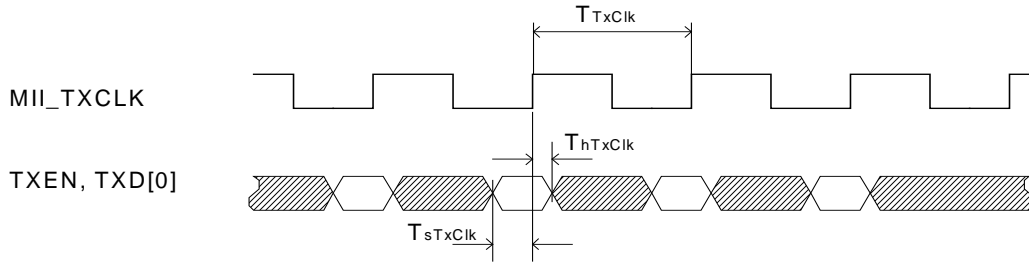
Symbol	Description	Min.	Typ.	Max.	Unit
$T_{TxClk}$	Transmit clock period	-	20	-	ns
$T_{dTxCIk}$	MII_CLK_IN rising edge to TXEN, TXD	1	-	4	ns



### 4.3.5 SNI Timing

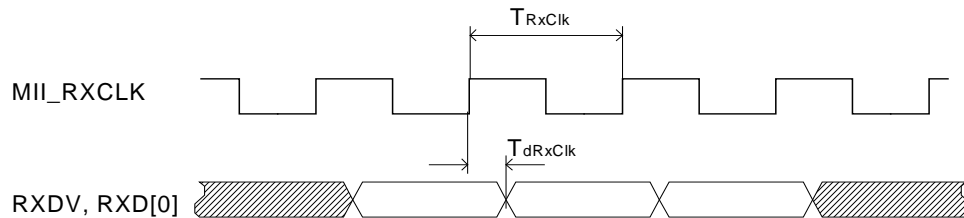
#### a. Transmit Timing Requirements

Symbol	Description	Min.	Typ.	Max.	Unit
$T_{TxClk}$	Transmit clock period	-	100	-	ns
$T_{sTxClk}$	TXEN, TXD to MII_TXCLK setup time	2	-	-	ns
$T_{hTxClk}$	TXEN, TXD to MII_TXCLK hold time	0.5	-	-	ns



#### b. Receive Timing

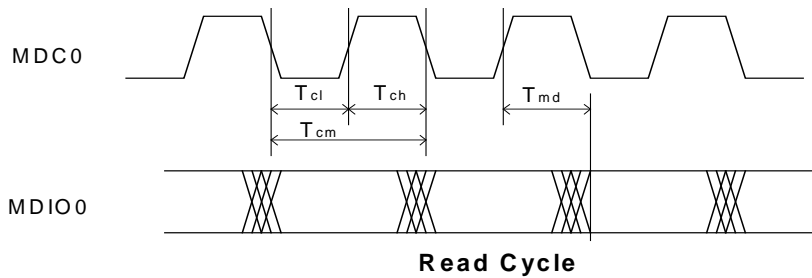
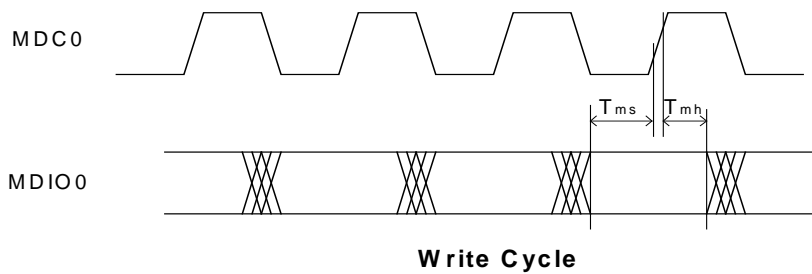
Symbol	Description	Min.	Typ.	Max.	Unit
$T_{RxClk}$	Receive clock period	-	100	-	ns
$T_{dRxClk}$	MII_RXCLK rising edge to RXDV, RXD	1	-	4	ns



4.3.6 SMI Timing

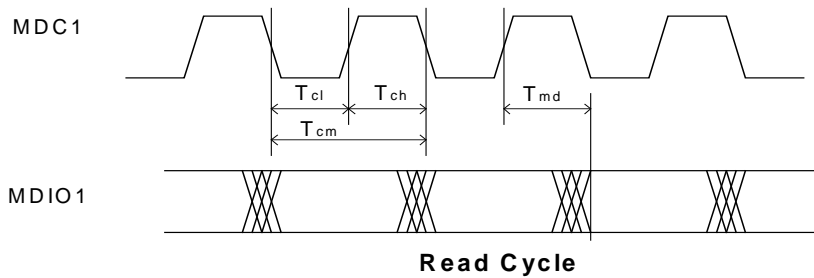
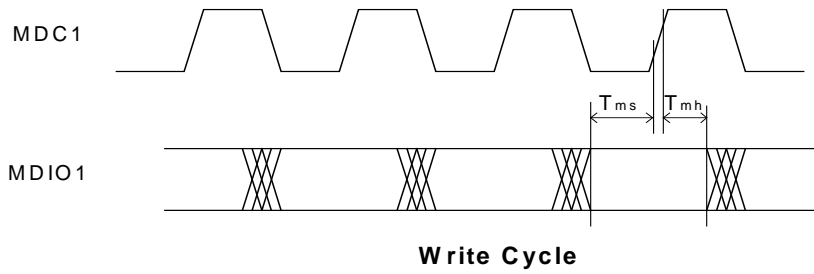
a. MDC0/MDIO0 Timing

Symbol	Description	Min.	Typ.	Max.	Unit
$T_{ch}$	MDC0 High Time	40	-	-	ns
$T_{cl}$	MDC0 Low Time	40	-	-	ns
$T_{cm}$	MDC0 period	80	-	-	ns
$T_{md}$	MDIO0 output delay	-	-	5	ns
$T_{mh}$	MDIO0 setup time	10	-	-	ns
$T_{ms}$	MDIO0 hold time	10	-	-	ns



**b. MDC1/ MDIO1 Timing**

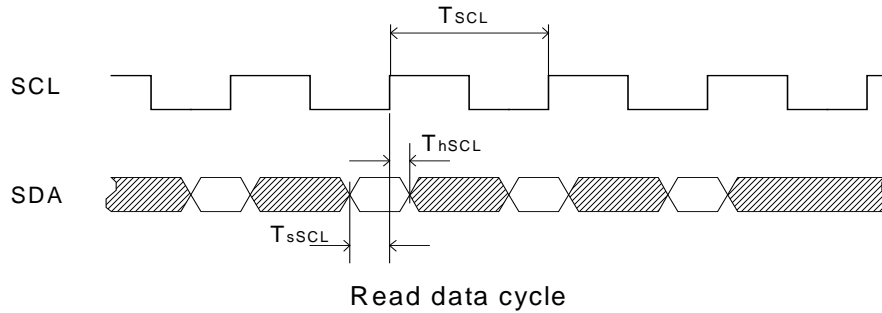
Symbol	Description	Min.	Typ.	Max.	Unit
$T_{ch}$	MDC1 High Time	40	-	-	ns
$T_{cl}$	MDC1 Low Time	40	-	-	ns
$T_{cm}$	MDC1 period	80	-	-	ns
$T_{md}$	MDIO1 output delay	-	-	5	ns
$T_{ms}$	MDIO1 setup time	10	-	-	ns
$T_{mh}$	MDIO1 hold time	10	-	-	ns



### 4.3.7 EEPROM Timing

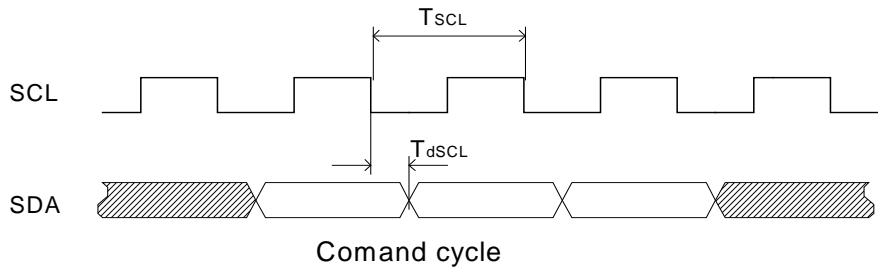
a.

Symbol	Description	Min.	Typ.	Max.	Unit
$T_{SCL}$	Receive clock period	-	20480	-	ns
$T_{sSCL}$	SDA to SCL setup time	2	-	-	ns
$T_{hSCL}$	SDA to SCL hold time	0.5	-	-	ns



b.

Symbol	Description	Min.	Typ.	Max.	Unit
$T_{SCL}$	Transmit clock period	-	20480	-	ns
$T_{dSCL}$	SCL falling edge to SDA	-	-	5200	ns



### 4.4 Thermal Data

Theta Ja	Theta Jc	Conditions	Units
38.2	--	2 Layer PCB	°C/W

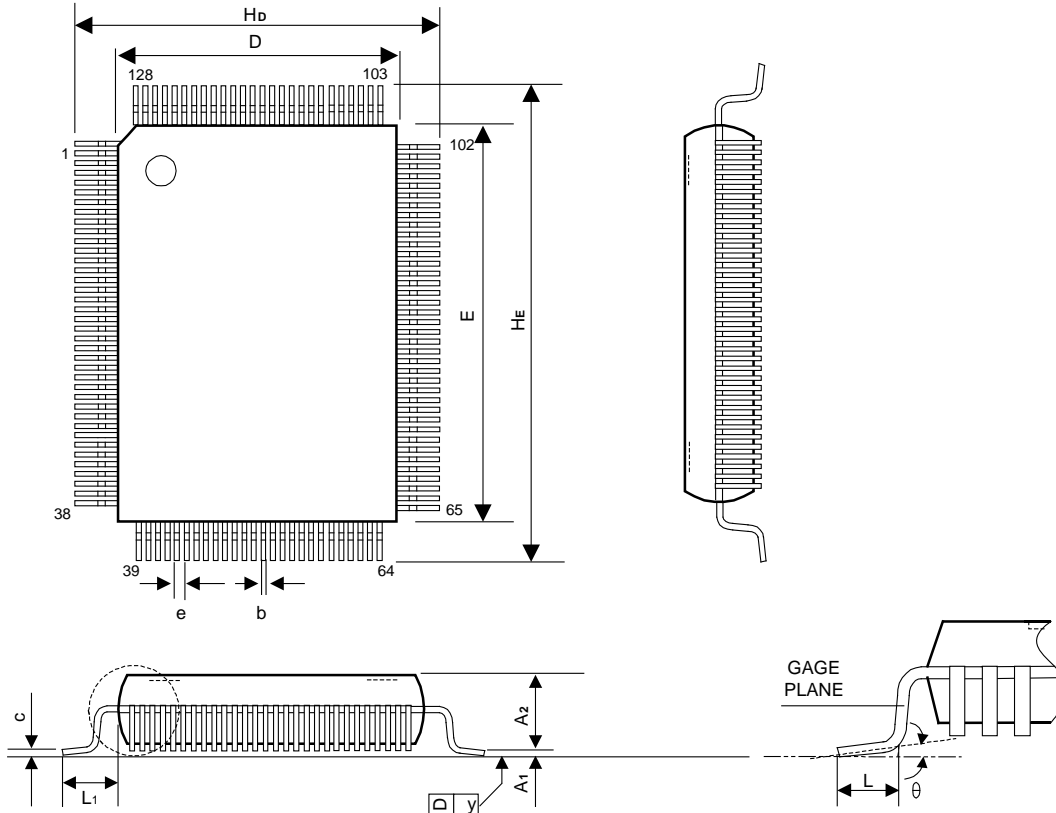


**5 Order Information**

Part No.	Package	Notice
IP175C	128-PIN PQFP	-
IP175C LF	128-PIN PQFP	Lead free
IP175CH	128-PIN PQFP	For fiber application-
IP175CH LF	128-PIN PQFP	For fiber application Lead free

## 6 Package Detail

### 128 PQFP Outline Dimensions



Symbol	Dimensions In Inches			Dimensions In mm		
	Min.	Nom.	Max.	Min.	Nom.	Max.
A1	0.010	0.014	0.018	0.25	0.35	0.45
A2	0.107	0.112	0.117	2.73	2.85	2.97
b	0.007	0.009	0.011	0.17	0.22	0.27
c	0.004	0.006	0.008	0.09	0.15	0.20
HD	0.669	0.677	0.685	17.00	17.20	17.40
D	0.547	0.551	0.555	13.90	14.00	14.10
HE	0.906	0.913	0.921	23.00	23.20	23.40
E	0.783	0.787	0.791	19.90	20.00	20.10
e	-	0.020	-	-	0.50	-
L	0.025	0.035	0.041	0.65	0.88	1.03
L1	-	0.063	-	-	1.60	-
y	-	-	0.004	-	-	0.10
theta	0°	-	12°	0°	-	12°

**Note:**

1. Dimension D & E do not include mold protrusion.
2. Dimension B does not include dambar protrusion. Total in excess of the B dimension at maximum material condition. Dambar cannot be located on the lower radius of the foot.

## IC Plus Corp.

### Headquarters

10F, No.47, Lane 2, Kwang-Fu Road, Sec. 2,  
Hsin-Chu City, Taiwan 300, R.O.C.

TEL : 886-3-575-0275 FAX : 886-3-575-0475

Website: [www.icplus.com.tw](http://www.icplus.com.tw)

### Sales Office

4F, No. 106, Hsin-Tai-Wu Road, Sec.1,  
Hsi-Chih, Taipei Hsien, Taiwan 221, R.O.C.

TEL : 886-2-2696-1669 FAX : 886-2-2696-2220